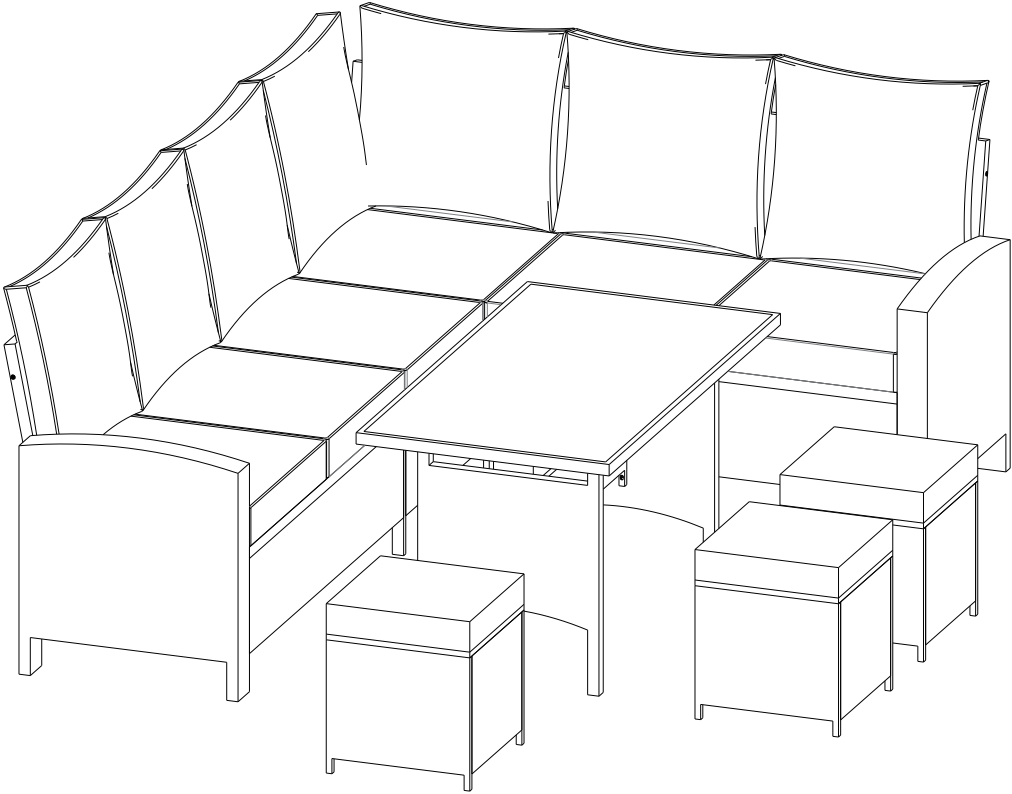


# 7 Pcs Rattan Dining Corner Sofa

## Instructions



Please read & retain for future reference

# Table of Contents

Notice.....	3
Care & Instructions.....	4
How to cover holes.....	4
Parts List.....	5
Screw Set List.....	7
Dining Table Assembly Instructions.....	8
Ottoman Assembly Instructions.....	10
Left Arm Love Seat Assembly Instructions.....	11
Right Arm Love Seat Assembly Instructions.....	13
Left Arm Corner Sofa Assembly Instructions.....	15
Right Arm Corner Sofa Assembly Instructions.....	17
Cushions & U-Shape connector.....	19

# Notice

Please Make a decision which model you want to put modules together, Because you have to use different parts to make it either a 3-2 layout dining corner sofa or a 2-3 layout dining corner sofa.

·If you want to assembly as a 3-2 layout dining corner sofa(Figure a) please refer pg.14 and pg.15;

·If you want to assembly as a 2-3 layout dining corner sofa(Figure b) please refer pg.16 and pg.17;

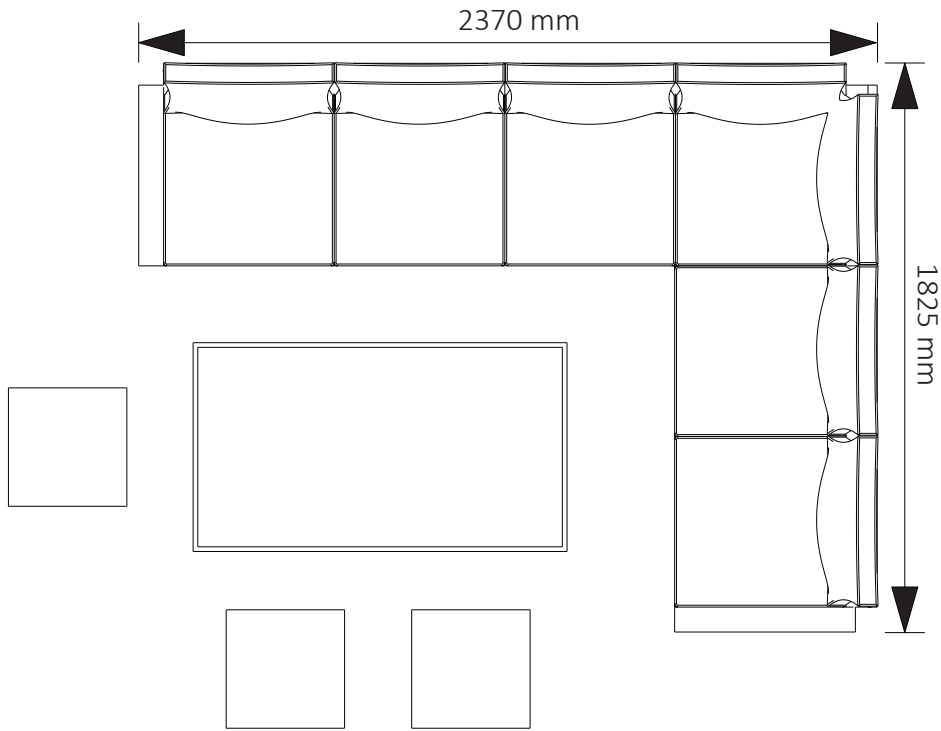


Figure a

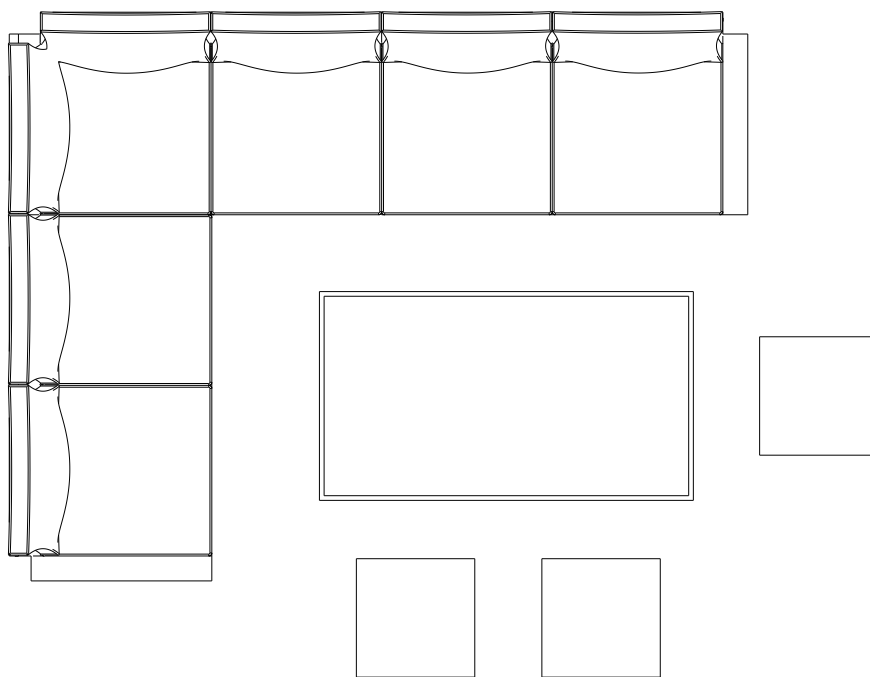


Figure b

# Care & Instructions

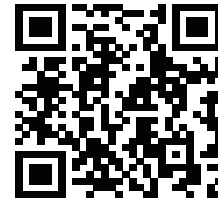
Thank you for ording this 7 pcs rattan dining corner sofa set,here are some tips may help you:

- 1.This 7 pcs rattan dining corner sofa set comes in 3 boxes.If you only receive 1 or 2 boxes,please do not worry.The others will arrive very soon.DO NOT assembly until all boxes have been received.
- 2.The cushions were vacuum packed,after opening the package,the cushions will become thick enough after a while.
- 3.Amazon only allows us to upload 1 tracking number.If you want to know the others' tracking number,please contact us.
- 4.Read this instructions carefully,if any part is damaged or missing(refer to parts list on pg. 5 and pg.6),please feel free to contact us.We will send you the replacement immediately.
- 5.In order to prolong the sofa set's service life,we suggest that you put all the cushions indoors on a rainy day.
- 6.We hope you can enjoy our product,if you have any other problem,please contact us.

The way to contact us:

**Email:**[service@alaulm.com](mailto:service@alaulm.com)

**Web:**[www.alaulm.com](http://www.alaulm.com)



You can scan the QR code to explore more products.

## How to cover holes



Step 1



Step 2



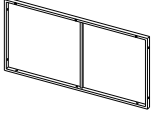
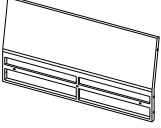
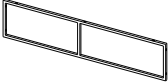
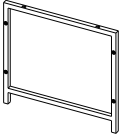
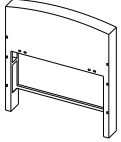

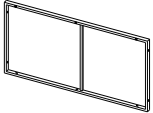
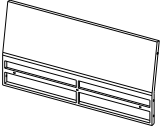
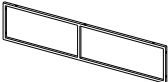
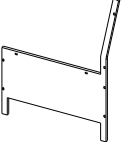
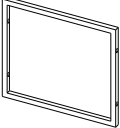
Step 3



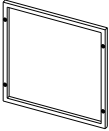
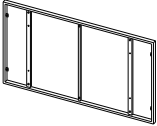
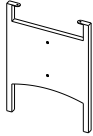
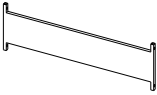
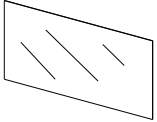
Step 4

You might use two pieces PE wicker to cover the hole,and repeat the steps to cover all the holes. These PE wicker also can be used to repair the scratch or broken wicker.






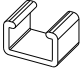














# Parts List

Box	Img	Part Name	Label	Qty
Box A		Sofa Seat Part	DST	2
		Sofa Back Part	DBK	2
		Sofa Front Part	DFP	2
		Ottoman Side Part 1	OS1	6
		Sofa Arm Part	DAM	2
	-	Screw Set A	DA	1
Box B		Corner Sofa Short Back Part	SBK	1
		Sofa Seat Part	DST	1
		Sofa Back Part	DBK	1
		Sofa Front Part	DFP	1
		Sofa Side Part	DSD	3
		Ottoman Side Part 2	OS2	6

# Parts List

Box	Img	Part Name	Label	Qty
Box B		Ottoman Seat Part	OST	3
	-	Screw Set B	DB	1
Box C		Dining Table Top Frame	DT1	1
		Dining Table Feet	DT2	2
		Dining Table Base Connector	DT3	1
		Dining Table Glass Top	DT4	1
	-	Seat Cushions	DSC	6
	-	Back Cushions	DBC	7
	-	Ottoman Seat Cushions	OSC	3
	-	Screw Set C	DC	1

# Screw Set List

Part	Img	Label	Name	Size	Qty
Screw Set-A		S	Bolts	M6x30	16
		Q	Bolts	M6x45	26
		V	Wrench	-	1
		W	Hexagon Spanner	-	1
		-	Pe Wicker	150 cm	1
		G	U-Shape Connector	-	5
		-	Assembly Instructions	-	1
Screw Set-B		S	Bolts	M6x30	51
		Q	Bolts	M6x45	8
		V	Wrench	-	1
		W	Hexagon Spanner	-	1
		-	Pe Wicker	150 cm	1
		-	Assembly Instructions	-	1
Screw Set-C		O	Bolts	M6x15	6
		S	Bolts	M6x30	6
		V	Wrench	-	1
		W	Hexagon Spanner	-	1
		-	Glass Pad	-	3
		-	Pe Wicker	150 cm	1
		-	Assembly Instructions	-	1

# Dining Table

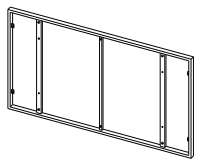
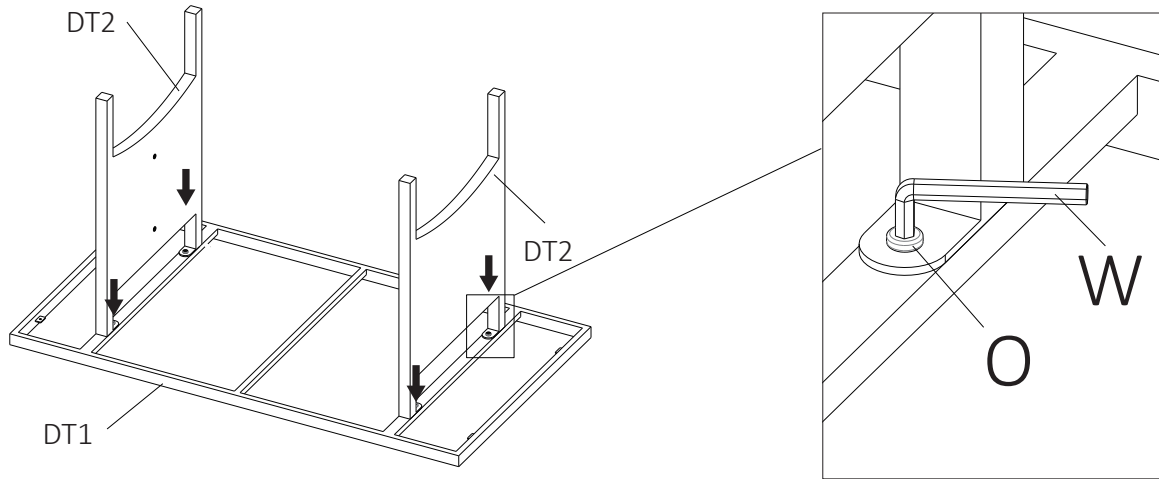
## Assembly Instructions



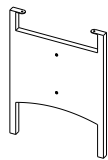
Do not use machine Two Persons together Need 20 mins roughly

**Step 1:** Assembly Dining Table Top Frame(DT1) And Dining Table Feet(DT2) using bolts(O).

**Note:**Please do not fully tighten bolts until unit is fully assembled.



DT1 x 1



DT2 x 2



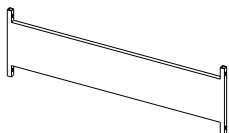
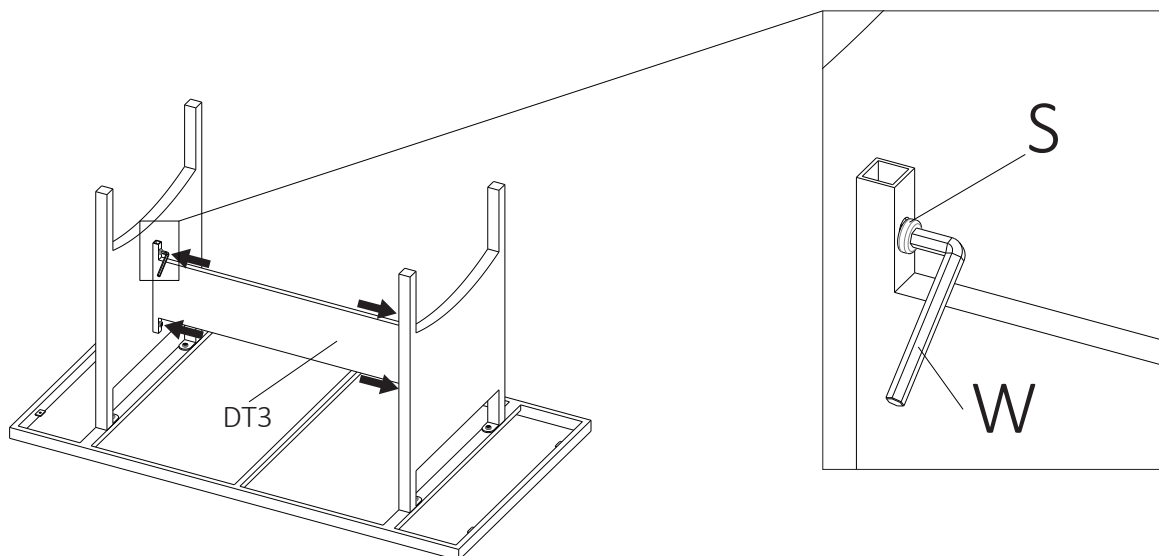
O(M6x15) x 4



W x 1

**Step 2:** Assembly Dining Table Base Connector(DT3) using bolts(S).

**Note:**Please do not fully tighten bolts until unit is fully assembled.



DT3 x 1



S(M6x30)x4



# Dining Table

## Assembly Instructions



Do not use machine

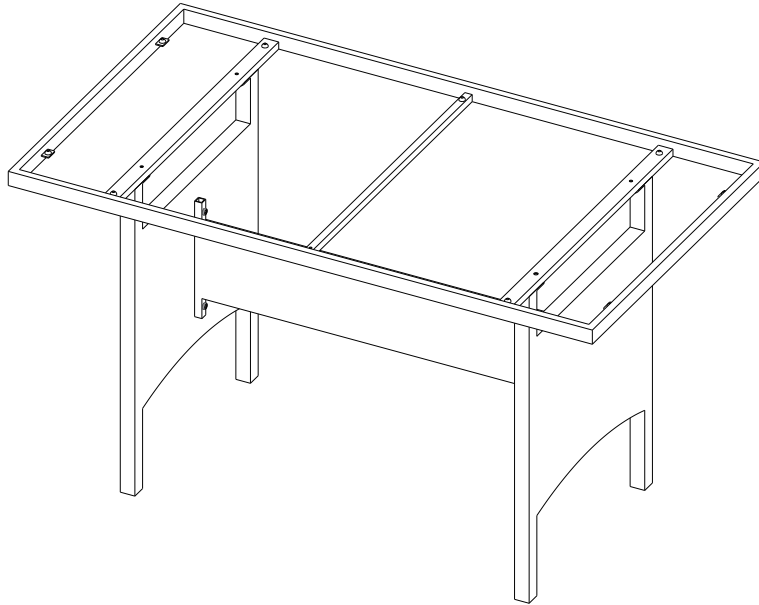


Two Persons together

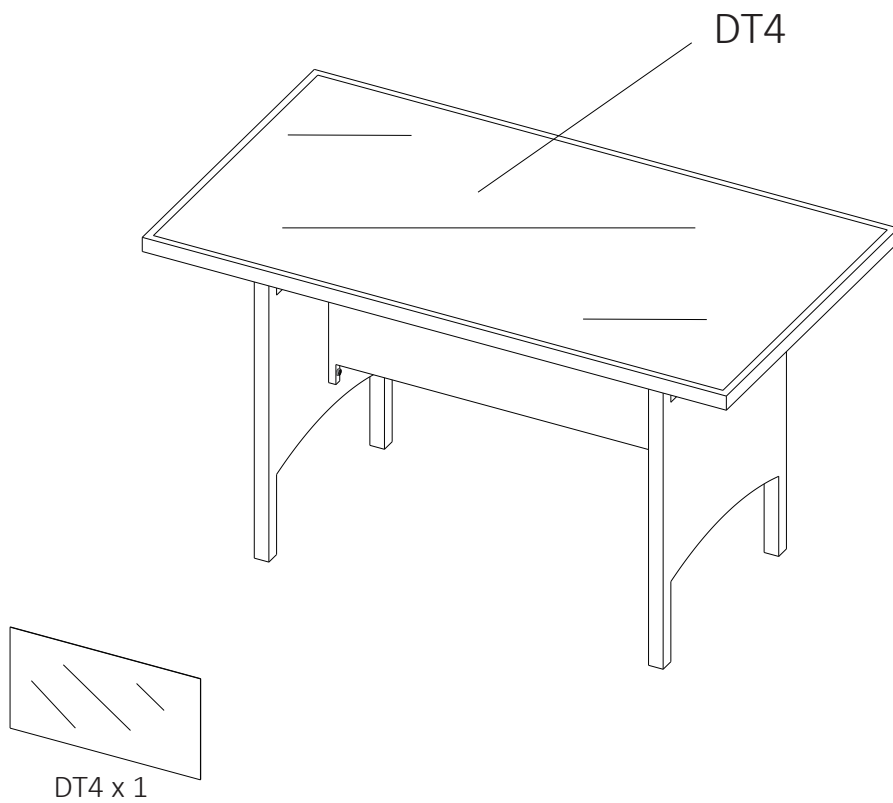


Need 20 mins roughly

**Step 3:** Fully tighten all bolts at this time.



**Step 4:** Put on the dining table glass top(DT4) very carefully.



# Ottoman

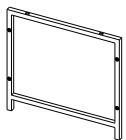
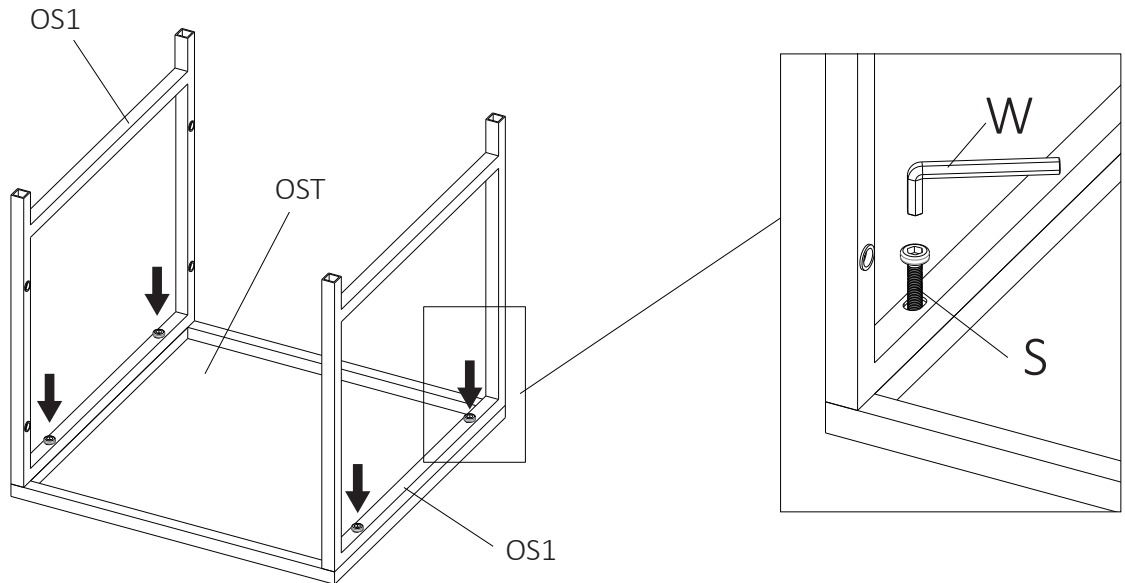
## Assembly Instructions



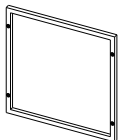
Do not use machine Two Persons together Need 20 mins roughly

**Step 1:** Assembly Ottoman Seat Part(OST) And Ottoman Side Pannel 1(OS1) using bolts(S).

**Note:** Please do not fully tighten bolts until unit is fully assembled.



OS1 x 2



OSTx1



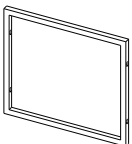
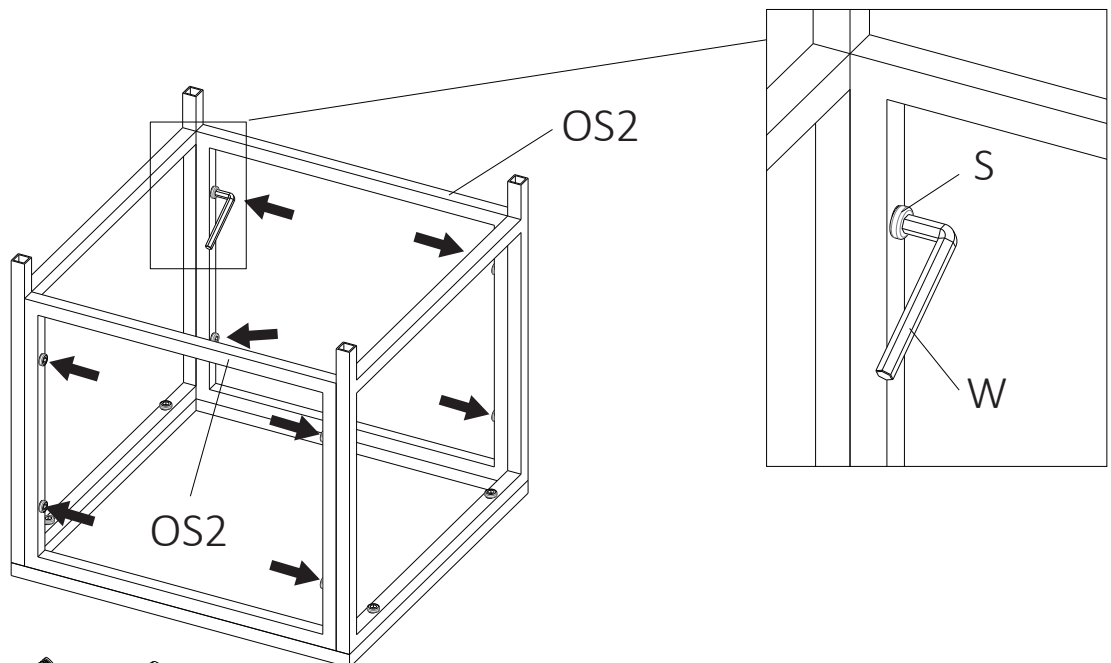
S(M6x30)x4



W x 1

**Step 2:** Assembly Ottoman Side Pannel 2(OS2) using bolts(S).

**Note:** Fully tighten all bolts at this time.



OS2 x 2



S(M6x30)x8



W x 1

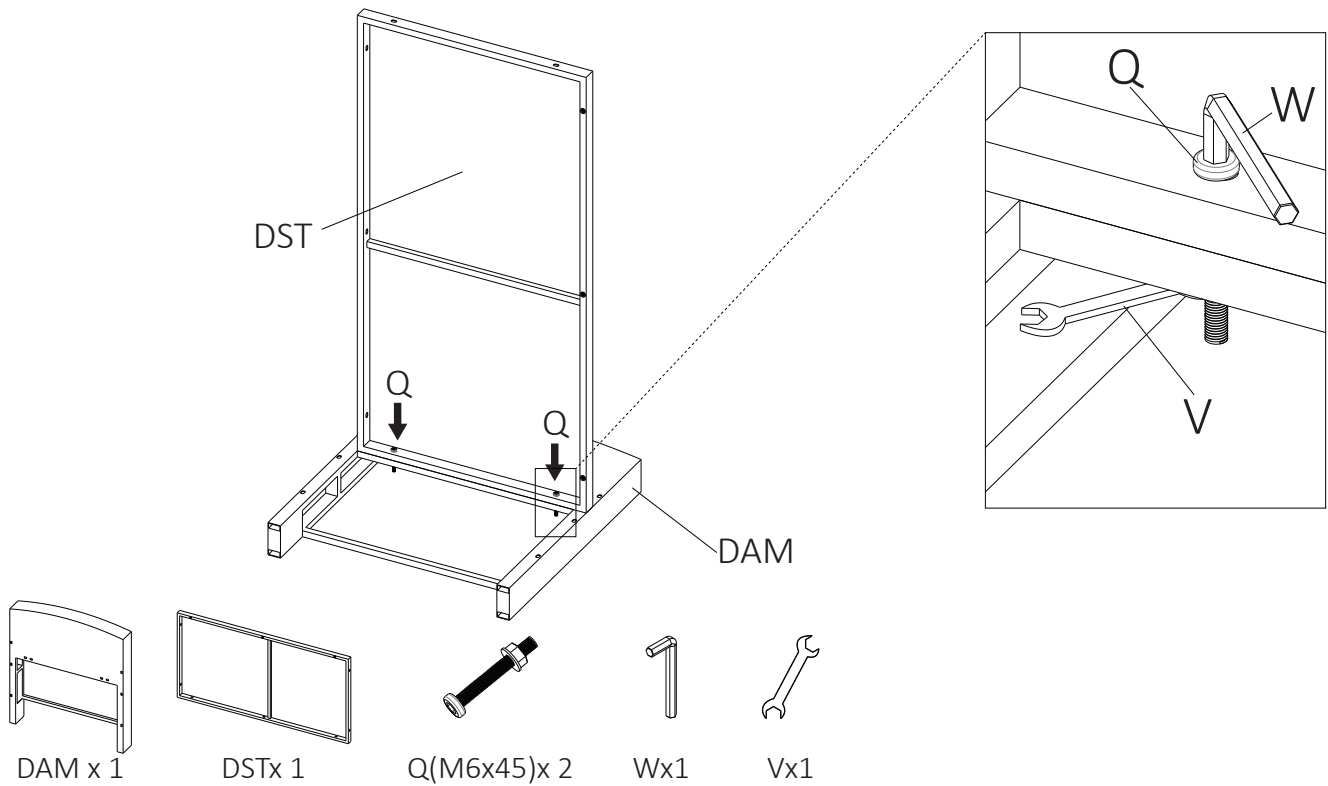
# Left Arm Love Seat Assembly Instructions



Do not use machine Two Persons together Need 20 mins roughly

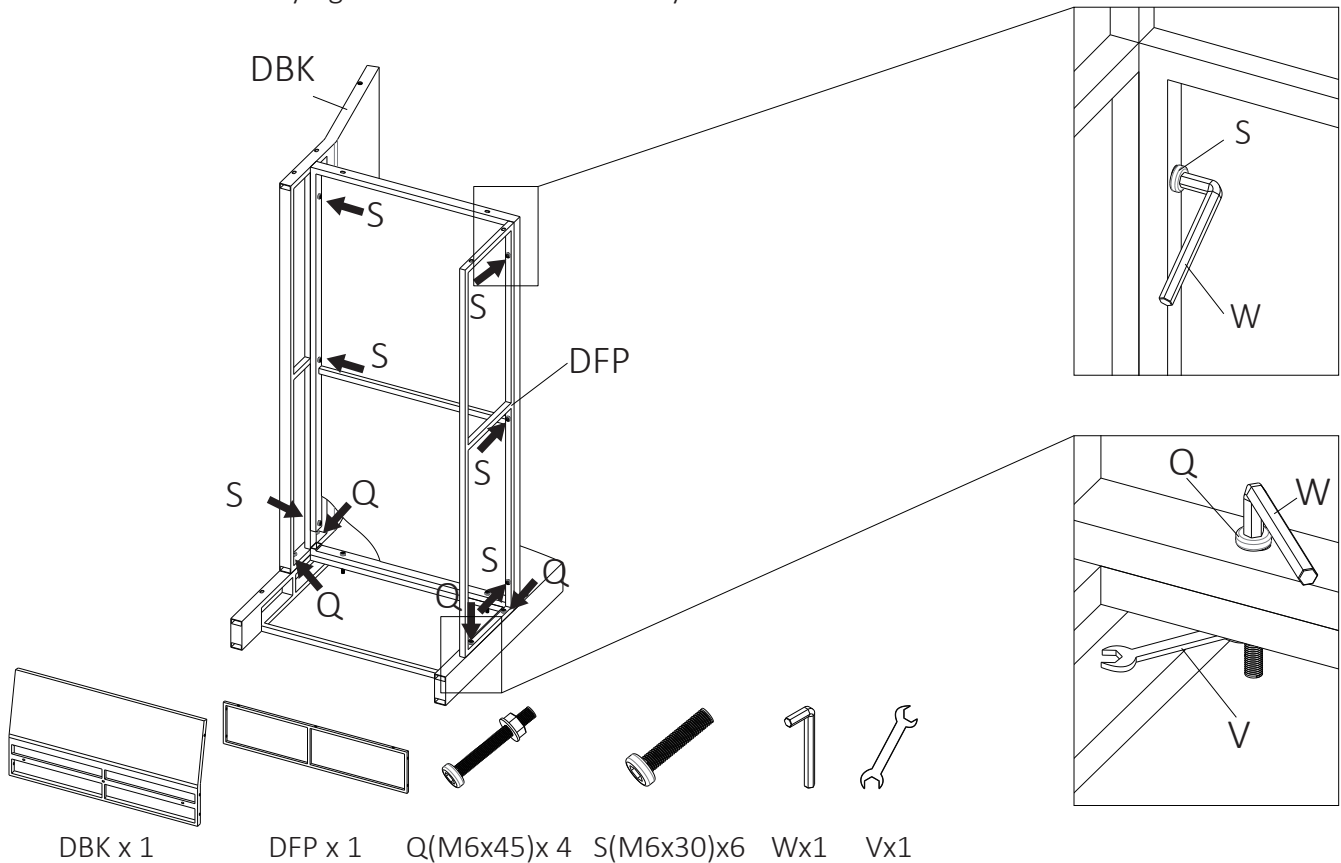
**Step 1:** Assembly Sofa Arm Part(DAM) and Sofa Seat Part(DST) using bolts(Q)

**Note:** Please do not fully tighten bolts until unit is fully assembled.



**Step 2:** Assembly Sofa Front Panel(DFP) and Sofa Back Part(DBK) using bolts(Q) or bolts(S).

**Note:** Please do not fully tighten bolts until unit is fully assembled.



# Left Arm Love Seat Assembly Instructions



Do not use machine



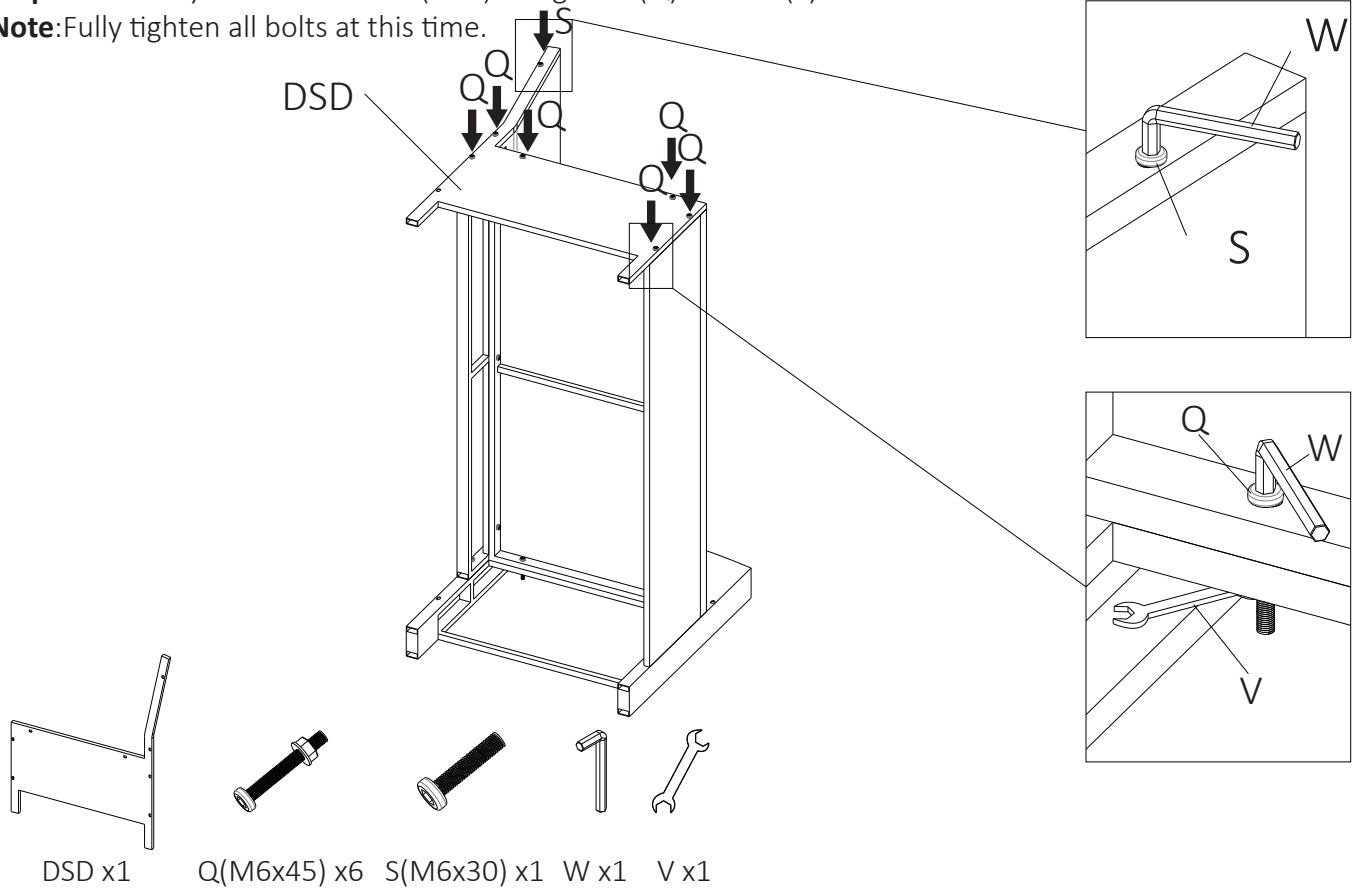
Two Persons together



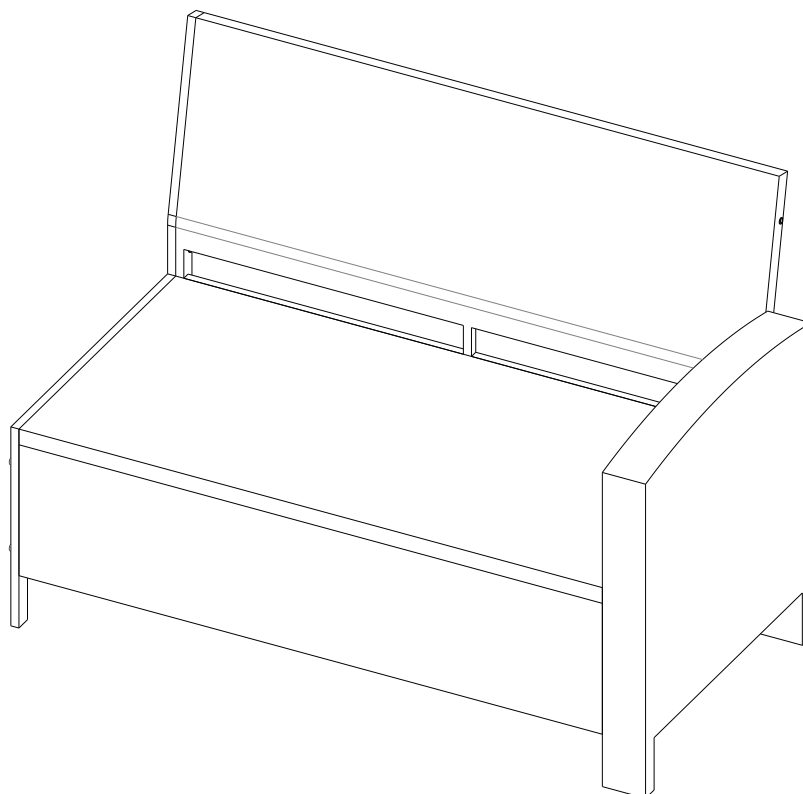
Need 20 mins roughly

**Step 3:** Assembly Sofa Side Panel(DSD) using bolts(Q) or bolts(S).

**Note:** Fully tighten all bolts at this time.



**Tips:** Left Arm Sofa means when you sit on the sofa, the arm of the sofa is on your left.



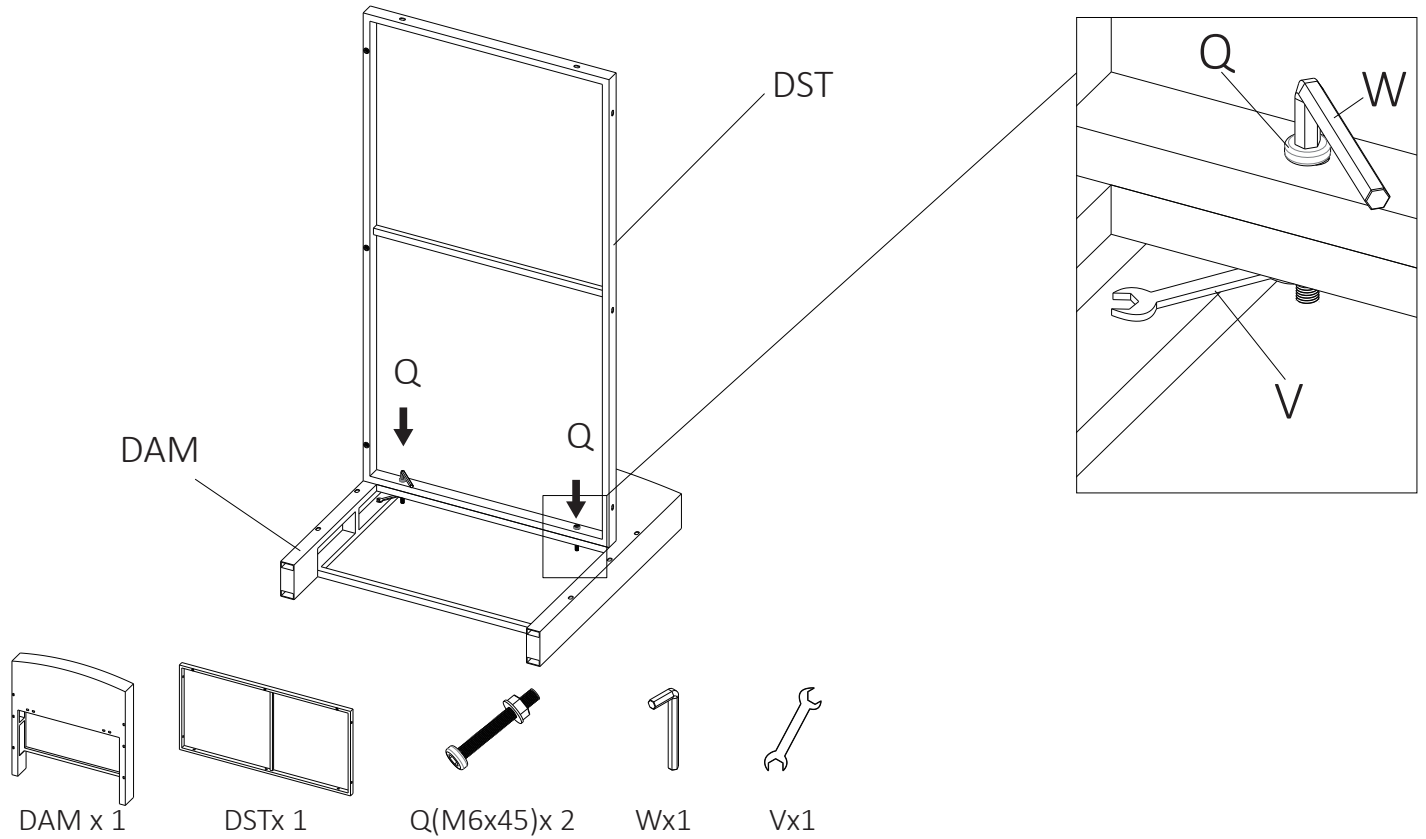
# Right Arm Love Seat Assembly Instructions



Do not use machine Two Persons together Need 20 mins roughly

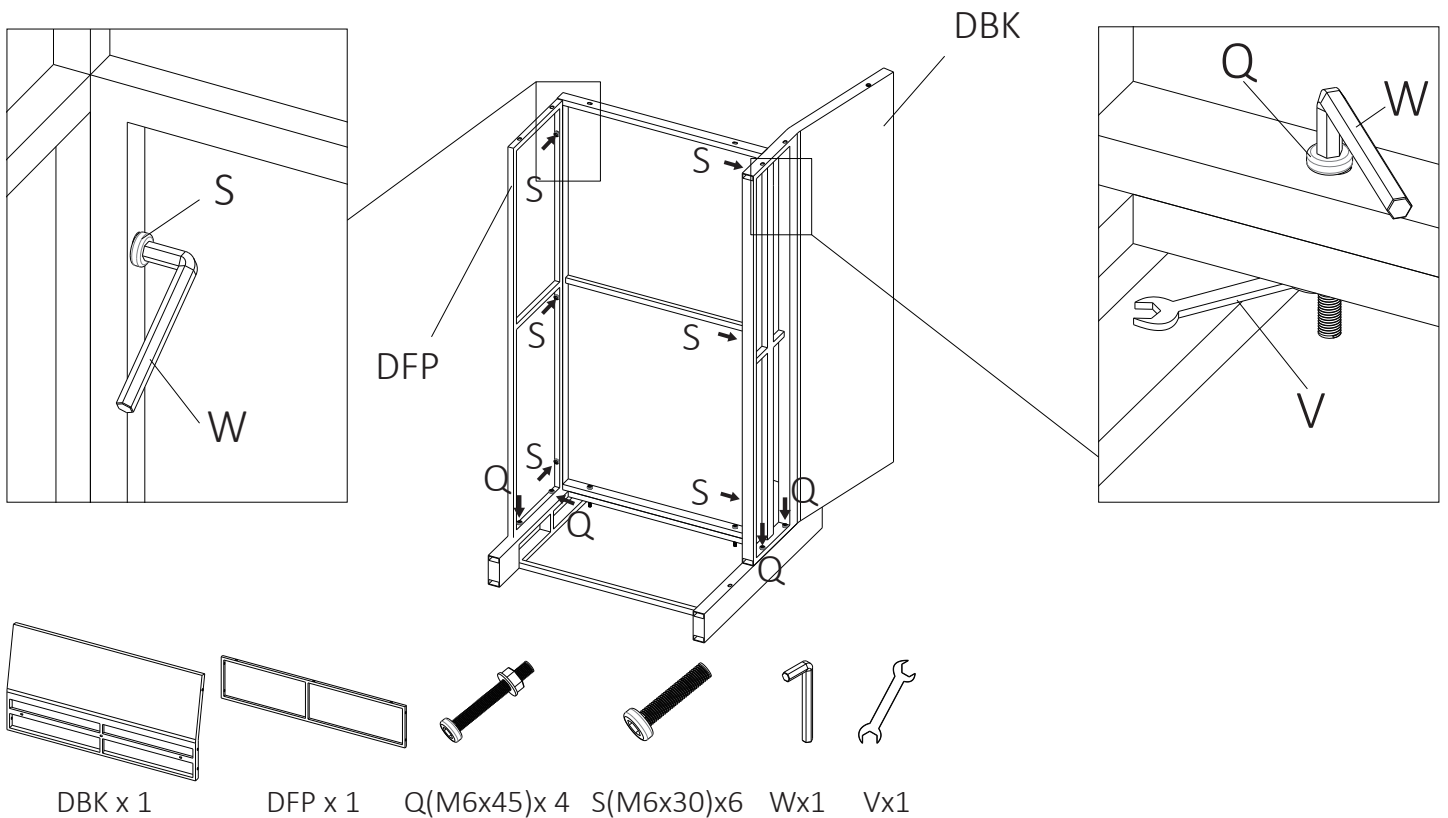
**Step 1:** Assembly Sofa Arm Part(DAM) and Sofa Seat Part(DST) using bolts(Q)

**Note:** Please do not fully tighten bolts until unit is fully assembled.



**Step 2:** Assembly Sofa Front Panel(DFP) and Sofa Back Part(DBK) using bolts(Q) or bolts(S).

**Note:** Please do not fully tighten bolts until unit is fully assembled.



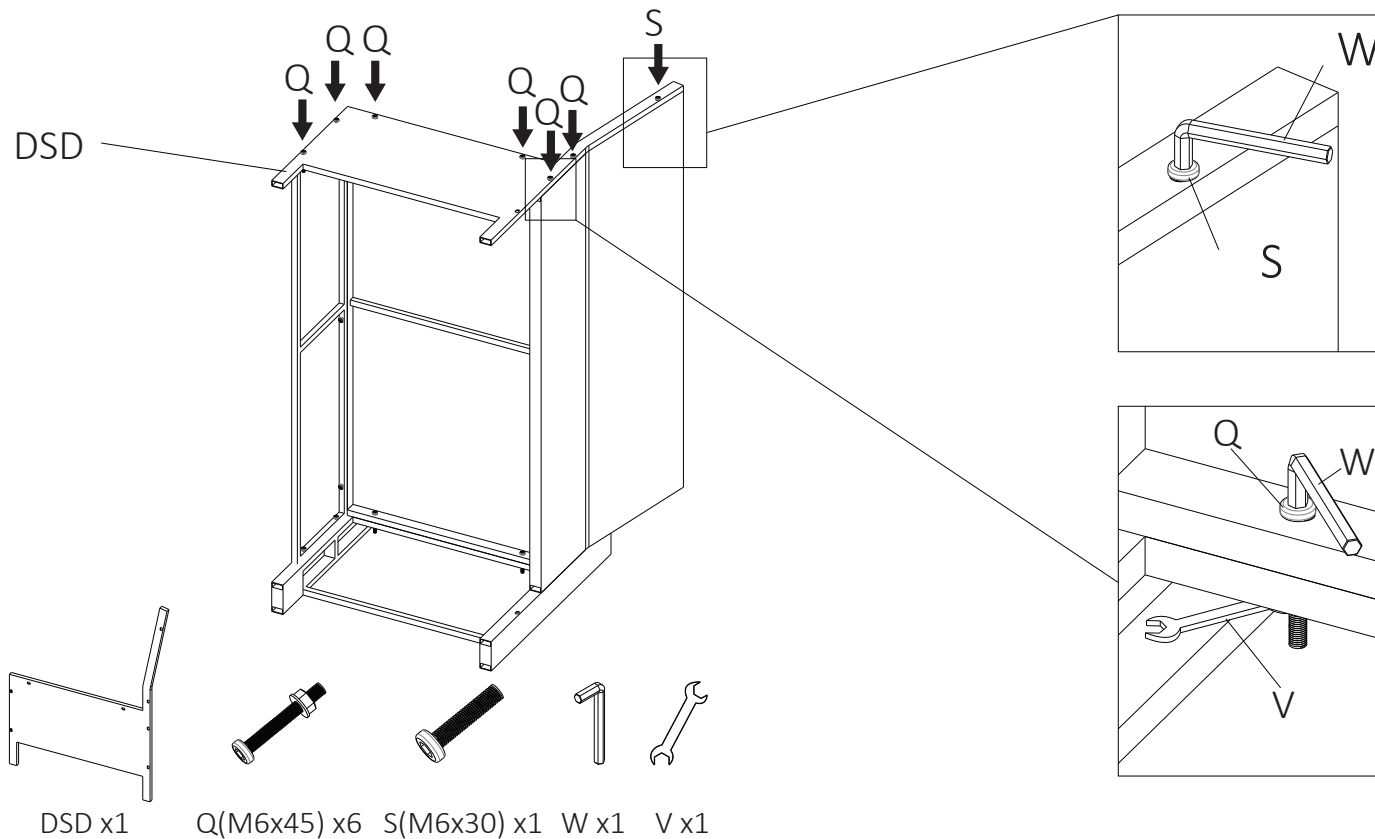
# Right Arm Love Seat Assembly Instructions



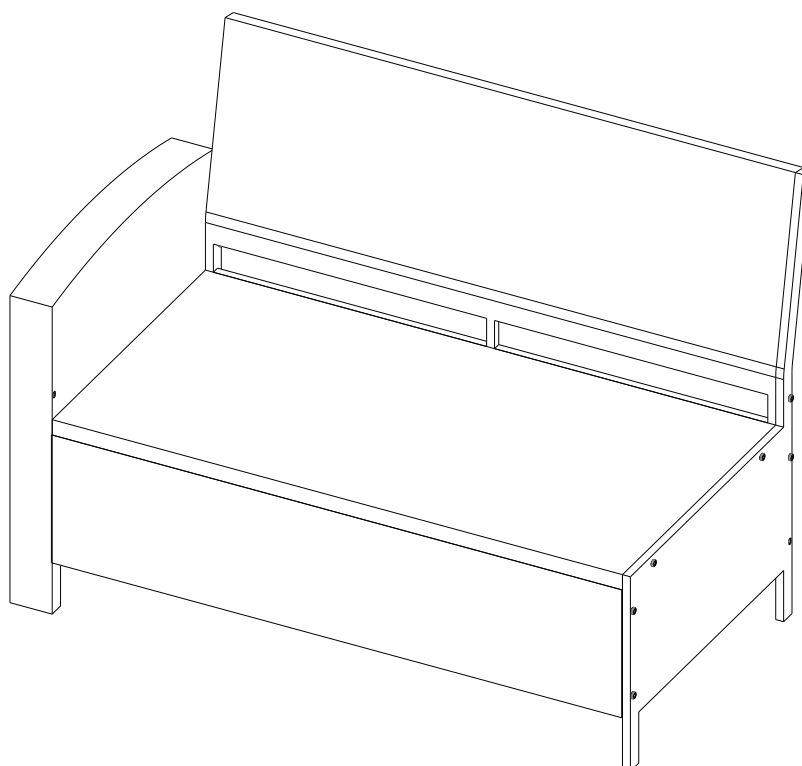
Do not use machine Two Persons together Need 20 mins roughly

**Step 3:** Assembly Sofa Side Panel(DSD) using bolts(Q) or bolts(S).

**Note:** Fully tighten all bolts at this time.



**Tips:** Right Arm Sofa means when you sit on the sofa, the arm of the sofa is on your right.



# Left Arm Corner Sofa

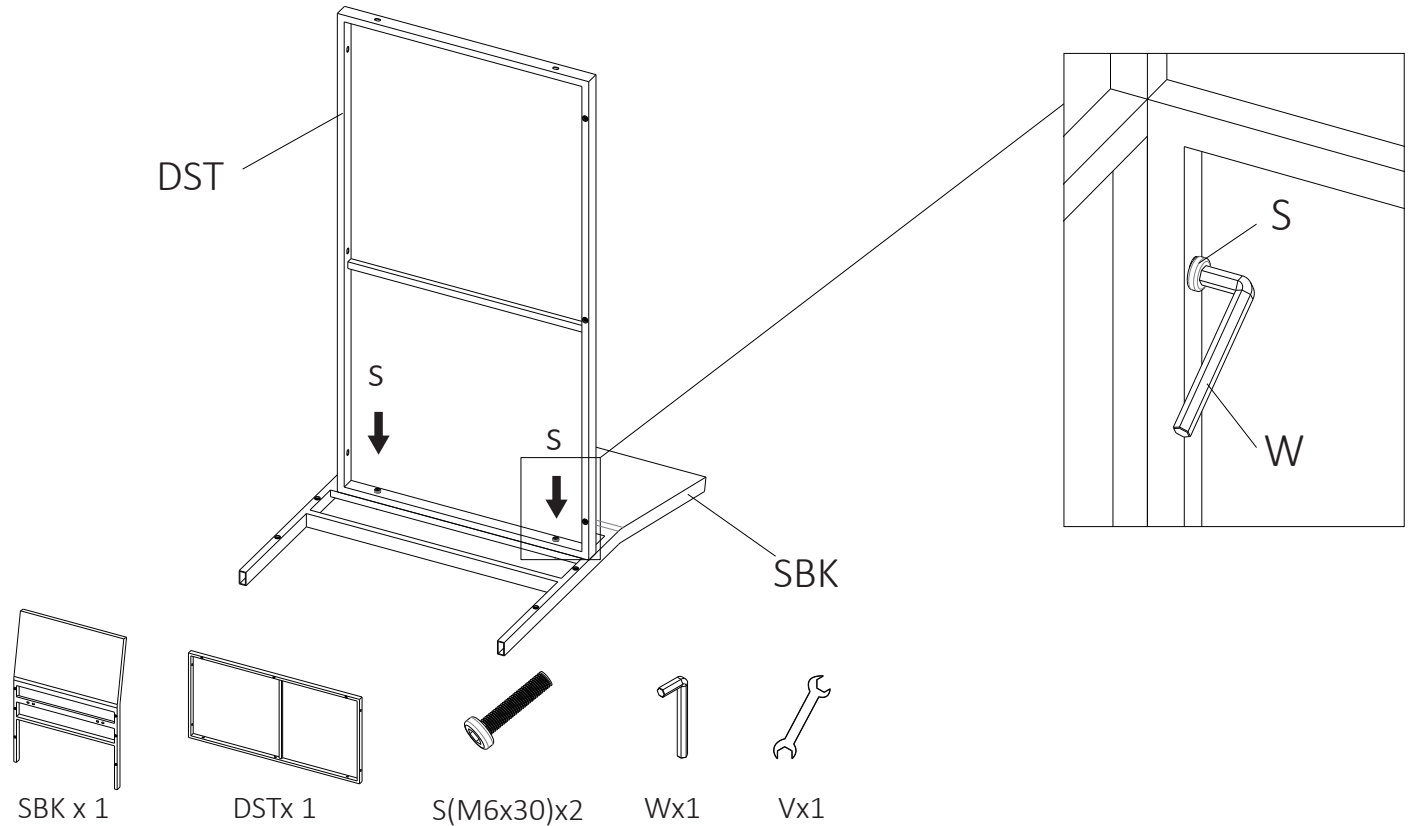
## Assembly Instructions



Do not use machine Two Persons together Need 20 mins roughly

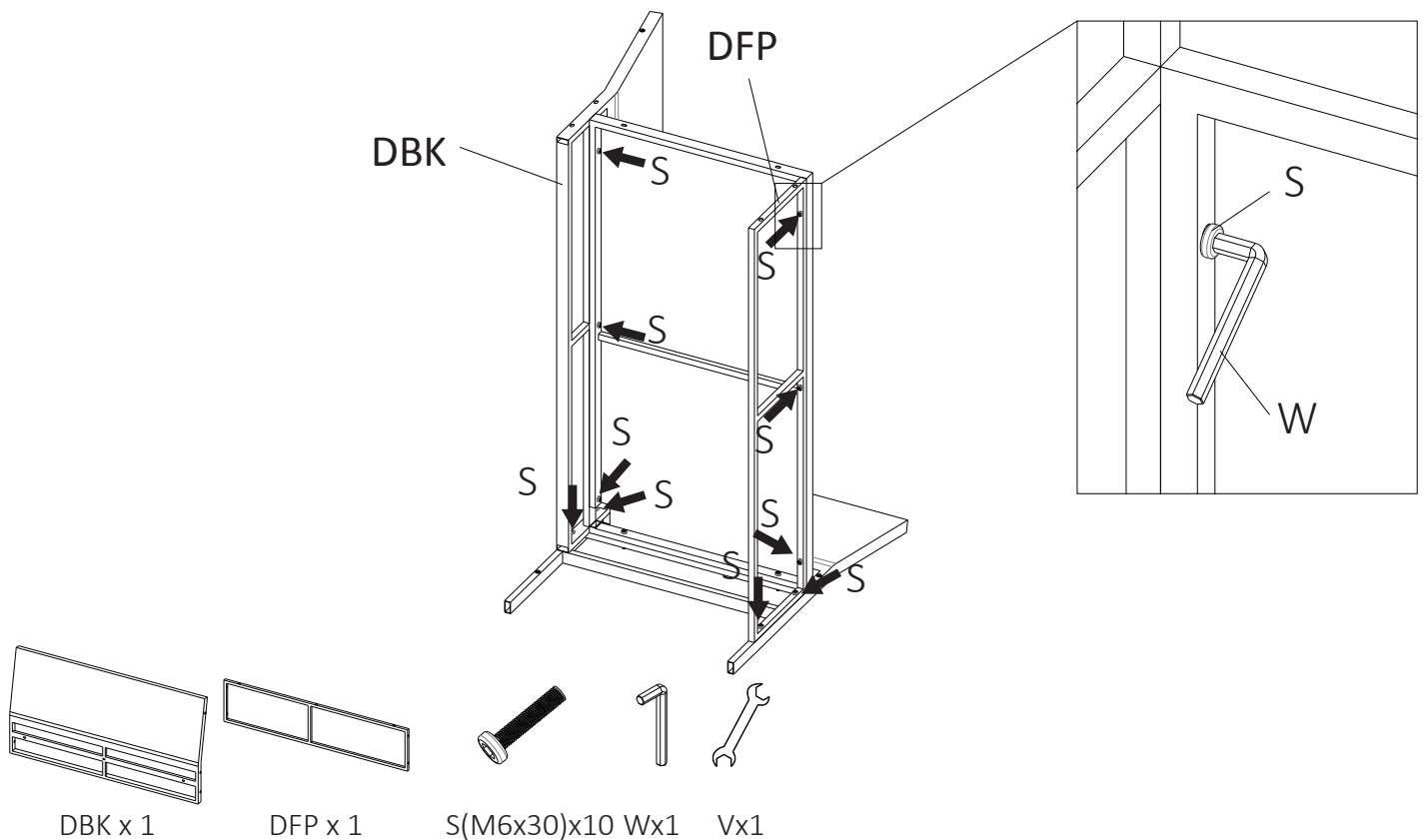
**Step 1:** Assembly Corner Sofa Short Back Part(SBK) and Sofa Seat Part(DST) using bolts(Q)

**Note:** Please do not fully tighten bolts until unit is fully assembled.



**Step 2:** Assembly Sofa Front Panel(DSP) and Sofa Back Part(DBK) using bolts(Q) or bolts(S).

**Note:** Please do not fully tighten bolts until unit is fully assembled.



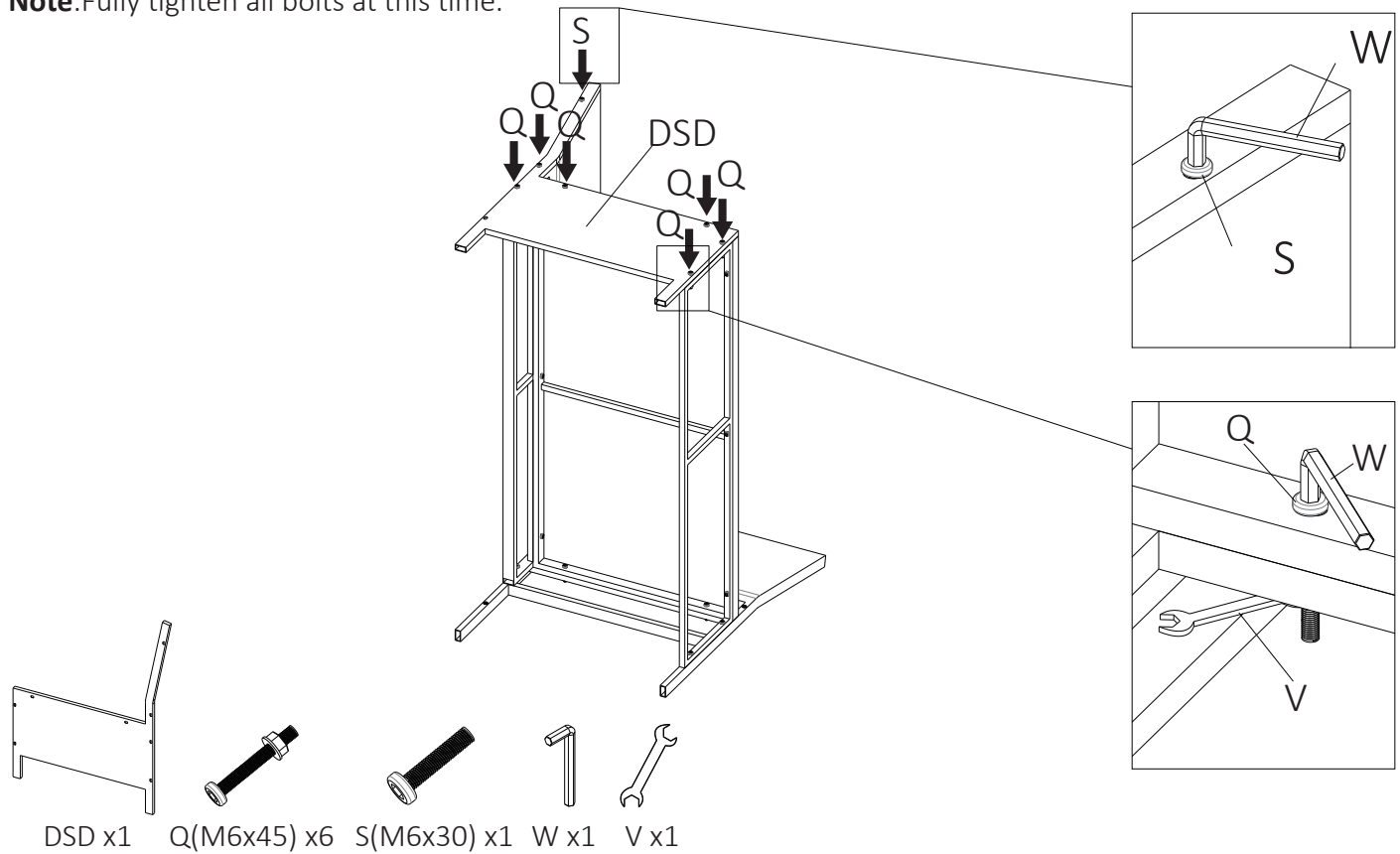
# Left Arm Corner Sofa Assembly Instructions



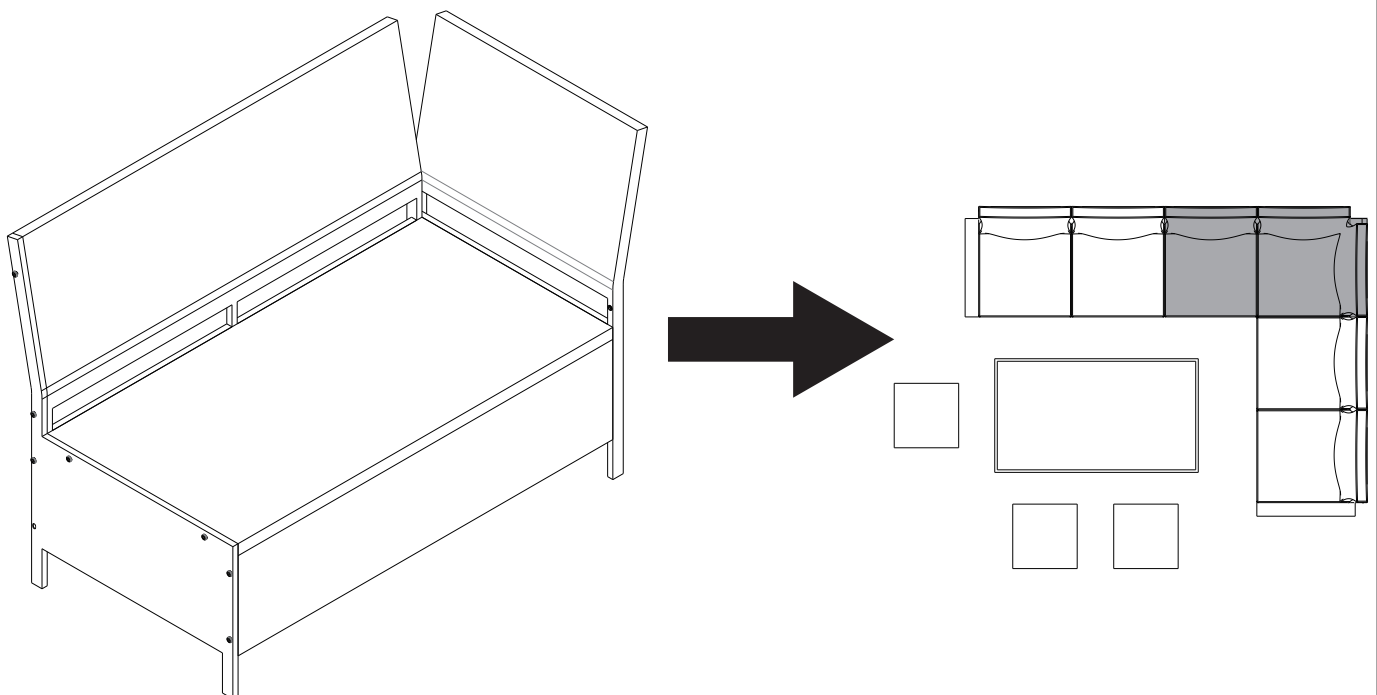
Do not use machine Two Persons together Need 20 mins roughly

**Step 3:** Assembly Sofa Side Panel(DSD) using bolts(Q) or bolts(S).

**Note:** Fully tighten all bolts at this time.



**Notice:** Left arm corner sofa can be combined into a 3-2 layout dining corner sofa. If you want to combine it into a 2-3 layout dining corner sofa, please refer to the next page.





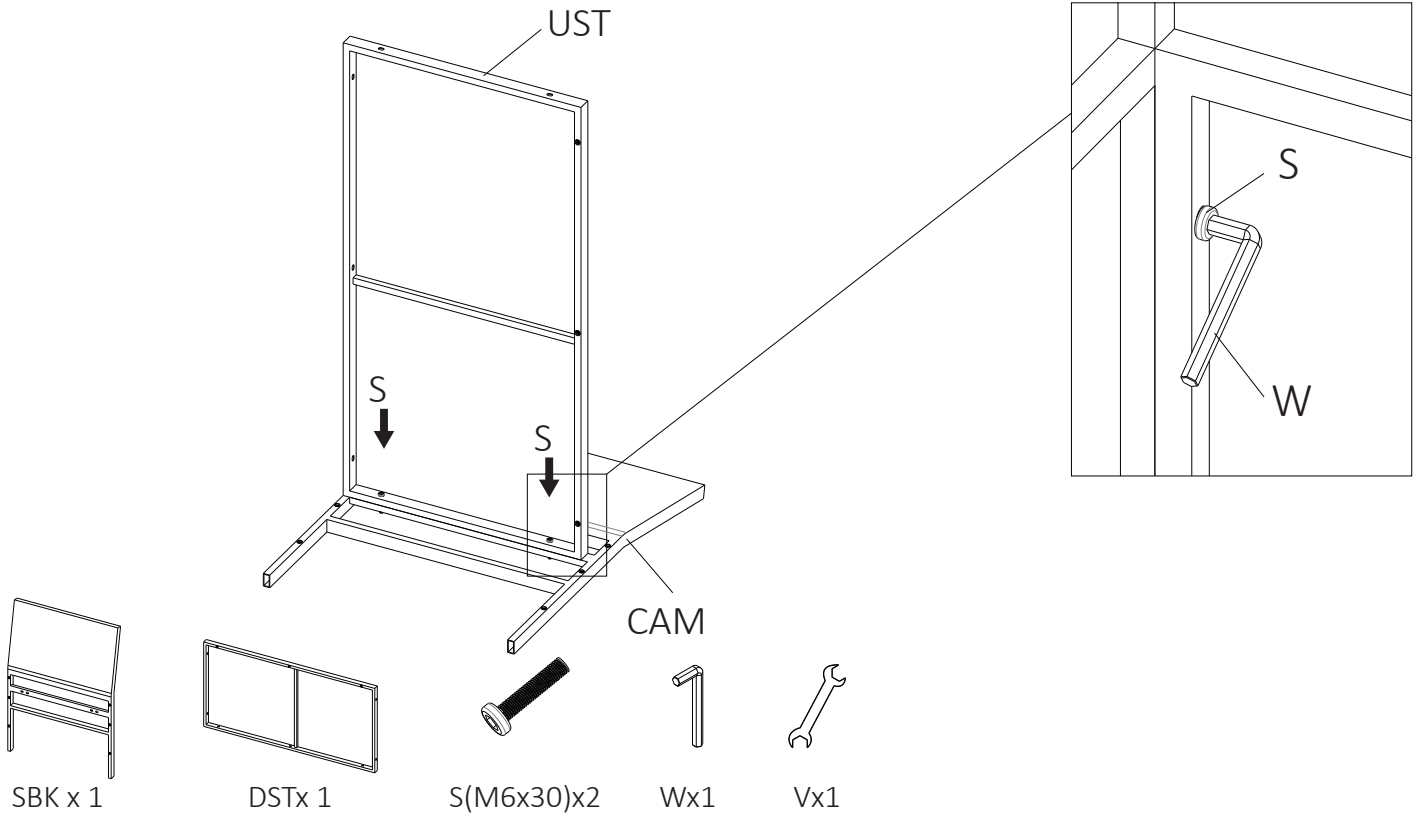
# Right Arm Corner Sofa Assembly Instructions



Do not use machine Two Persons together Need 20 mins roughly

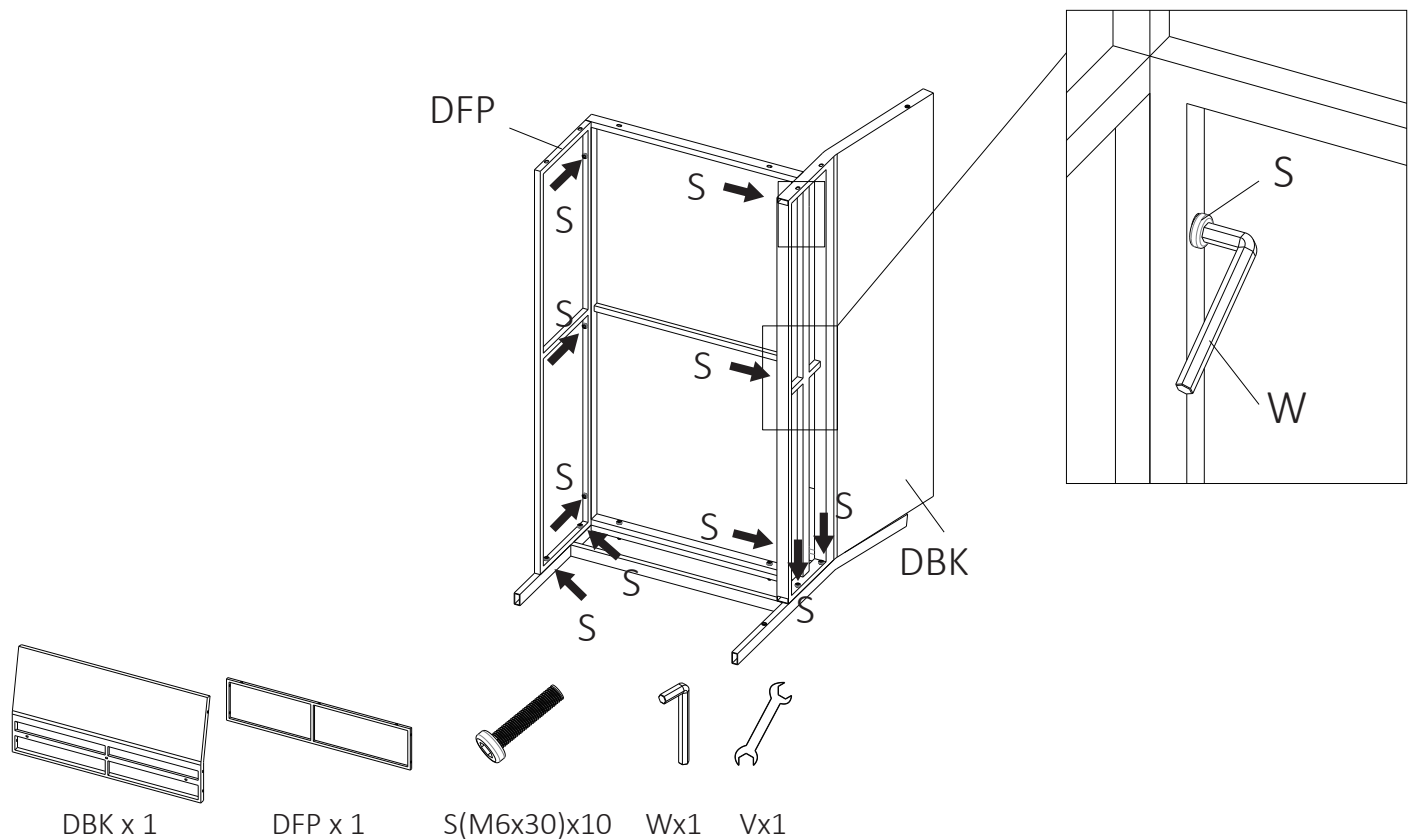
**Step 1:** Assembly Corner Sofa Short Back Part(DBK) and Sofa Seat Part(DST) using bolts(Q)

**Note:** Please do not fully tighten bolts until unit is fully assembled.



**Step 2:** Assembly Sofa Front Panel(DFP) and Sofa Back Part(DBK) using bolts(Q) or bolts(S).

**Note:** Please do not fully tighten bolts until unit is fully assembled.



# Right Arm Corner Sofa Assembly Instructions



Do not use machine



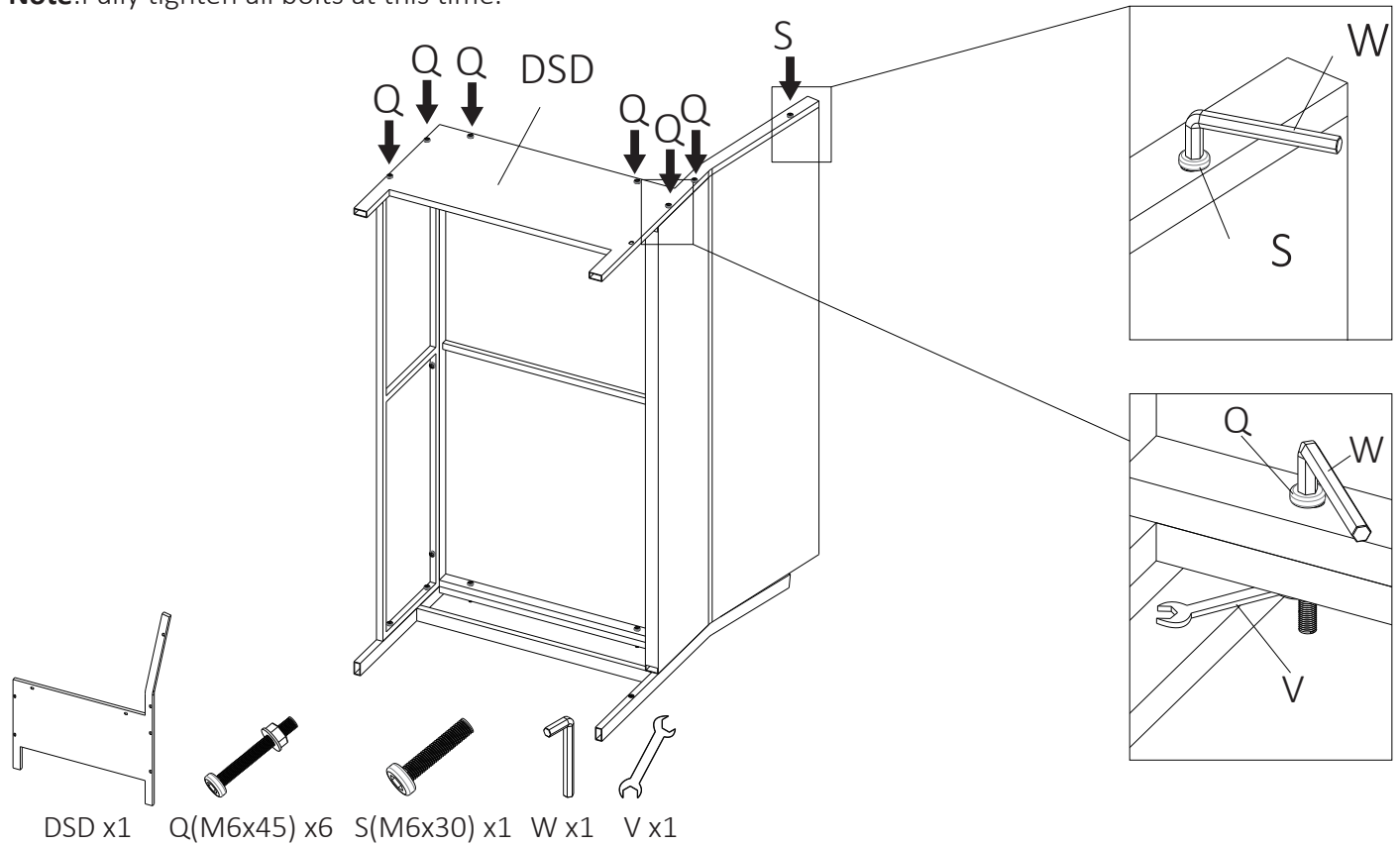
Two Persons together



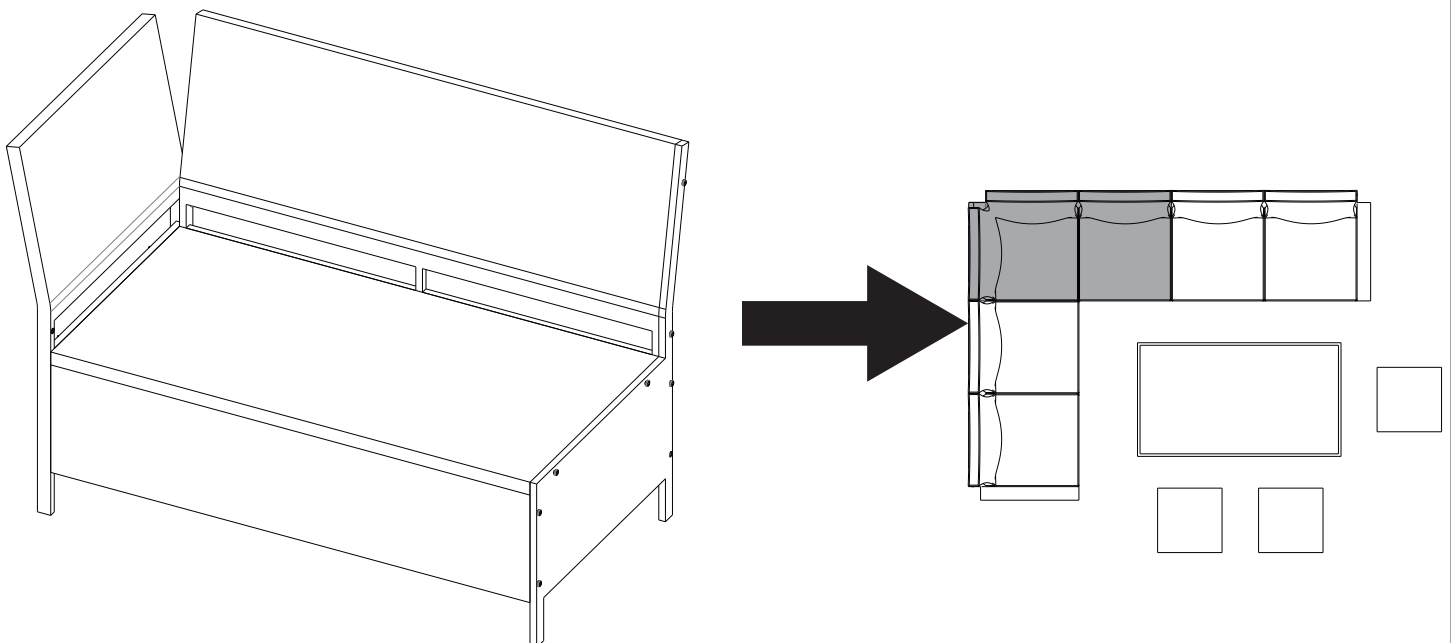
Need 20 mins roughly

**Step 3:** Assembly Sofa Side Panel(DSD) using bolts(Q) or bolts(S).

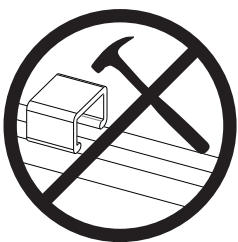
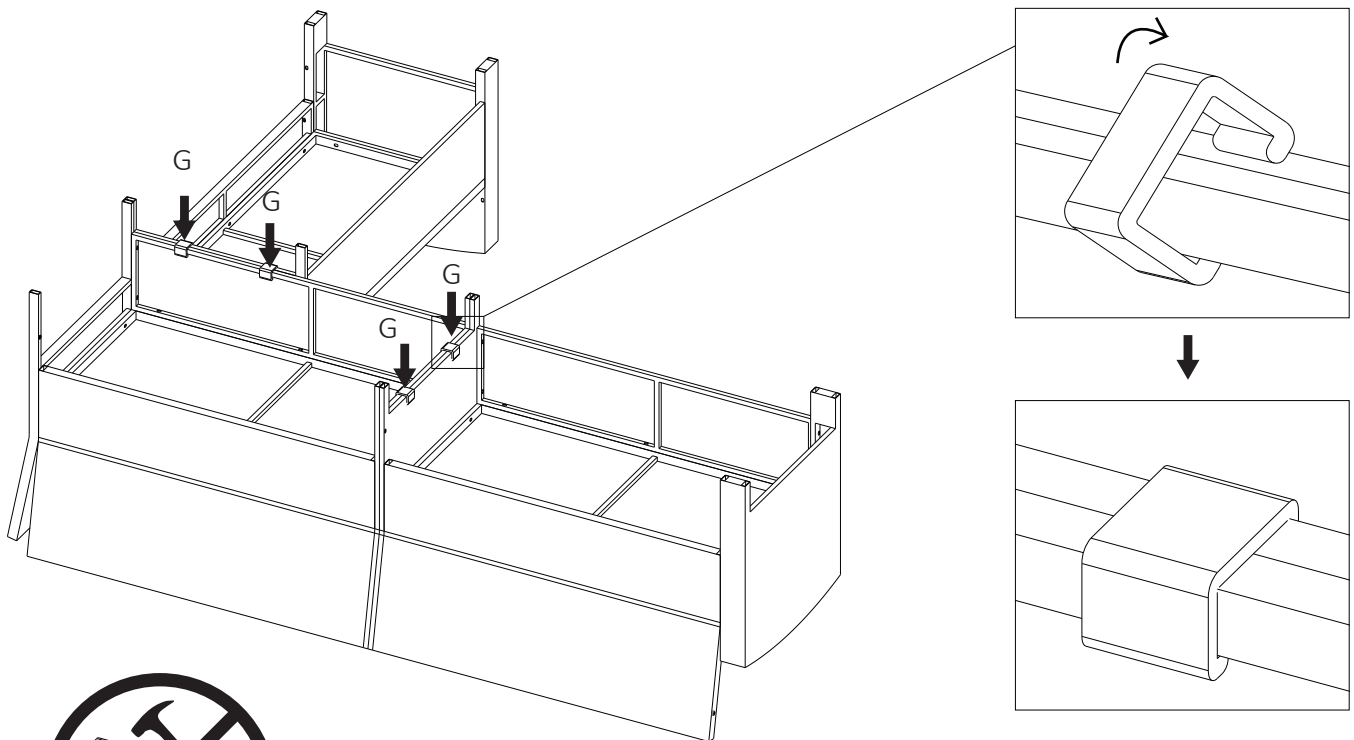
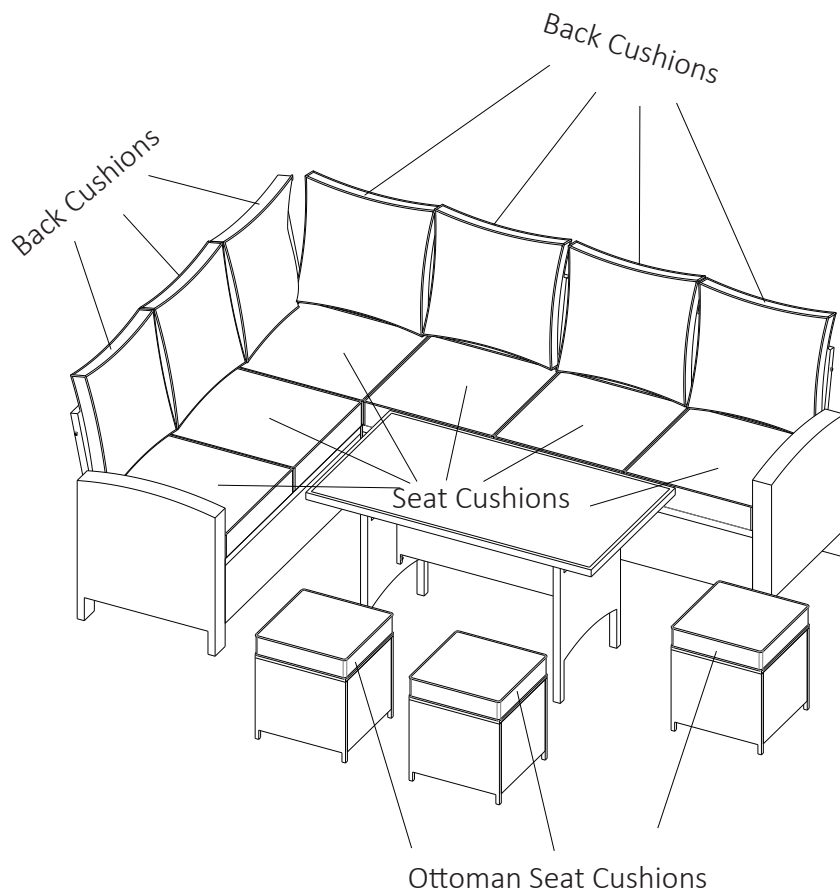
**Note:** Fully tighten all bolts at this time.



**Notice:** Right arm corner sofa can be combined into a 2-3 layout dining corner sofa. If you want to combine it into a 3-2 layout dining corner sofa, please refer to the previous page.



# Cushions & U-Shape Connector



Notice:  
Do not use tools such as hammers;  
You can scald it with boiling water to soften it.

[www.alaulm.com](http://www.alaulm.com)

Make Your Life Better.

