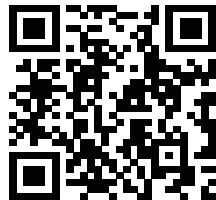


6 Pcs Rattan Sofa Set

Instructions

www.alaulm.com

Make Your Life Better.



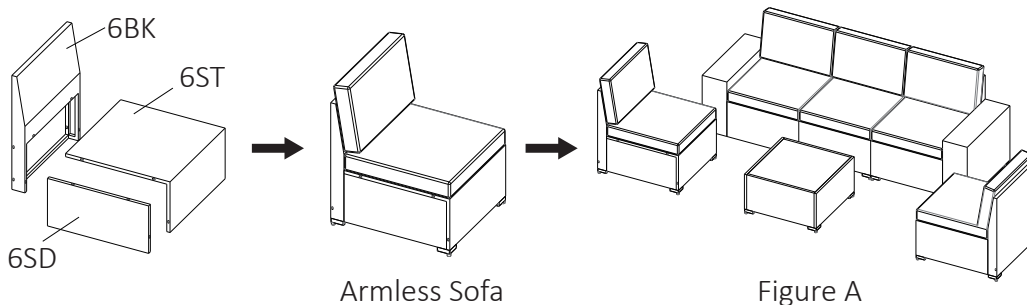
Important

Please Make a decision which model you want to put modules together, Because you have to use different parts to make it either a corner sofa or an armless sofa.

Option 1: Seat Part(6ST)+Back Part(6BK)+Side part(6SD), Can assemble it as the third armless sofa, then can put them together as living sofa set model(Figure a).

Option 2: Seat Part(6ST)+Back Part(6BK)+Long Back Part(6LB), Can assemble it as a corner sofa, then can put them together as corner sofa set model(Figure b).

Option 1

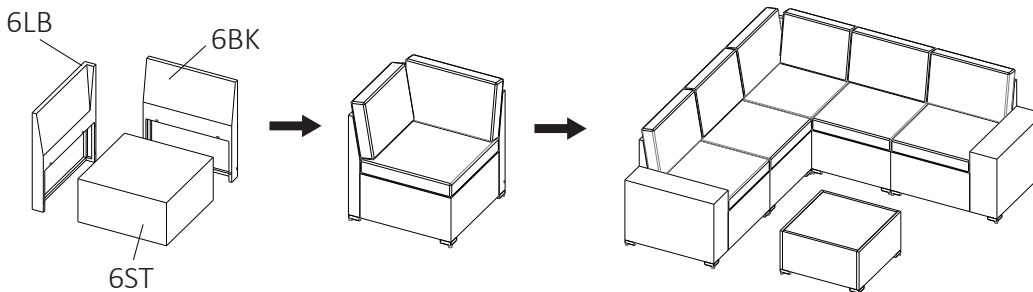


Armless Sofa

Figure A

6 Pcs Living Sofa Model

Option 2



Corner Sofa

Figure B

6 Pcs Corner Sofa Model

Care & Instructions

Thank you for ording the 6 pcs sofa set, here are some tips may help you:

1. This 6pcs sofa set comes in 3 boxes. If you only receive 1 or 2 boxes, please do not worry. The others will arrive very soon.

2. Carton A+Carton B: Mixed contains everything except the cushion covers. Carton C: Only Contains the cushion covers.

3. The cushions were vacuum packed, after opening the package, the cushions will fully after a while.

4. Amazon only allows us to upload 1 tracking number. If you want to know the others' tracking number, please contact us.

5. If any part is damaged or missing (refer to packing list on page 6), please feel free to contact us. We will send you the replacement immediately.

6. In order to prolong the sofa set's service life, we suggest that you put all the cushions indoors on a rainy day.

7. We hope you can enjoy our product, if you have any other problem, please feel free to contact us.

Contact US:

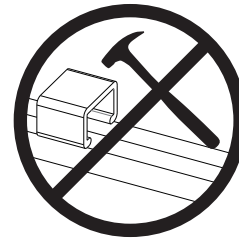
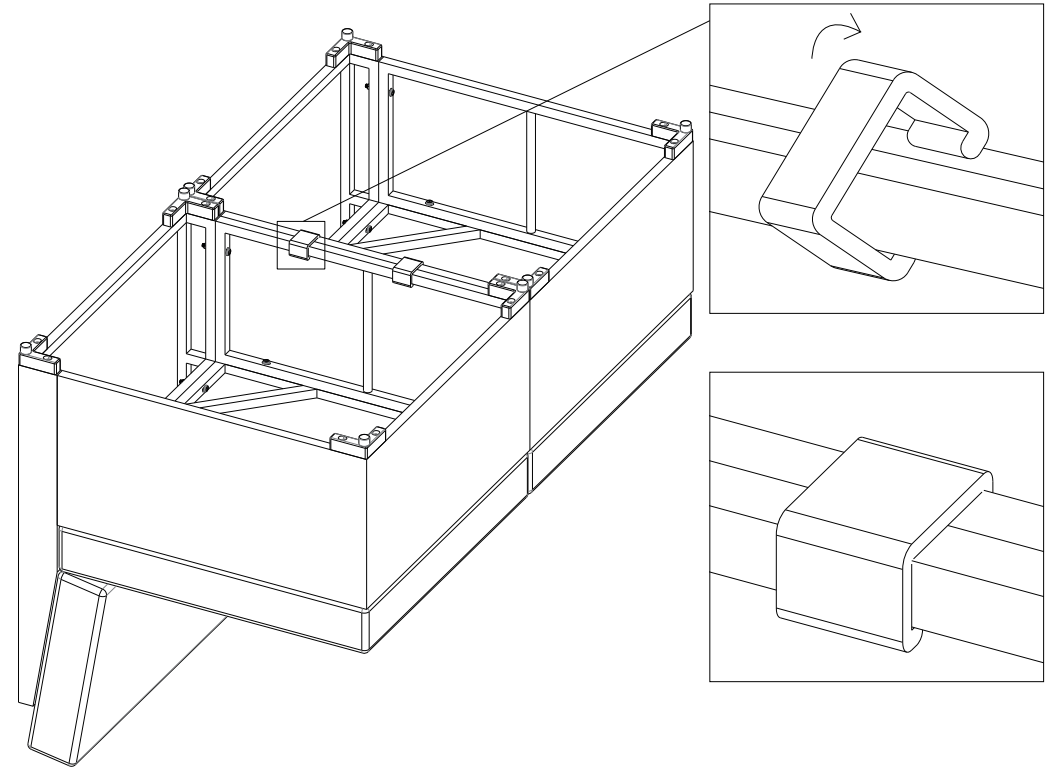
Service@alaulm.com

www.alaulm.com

Catalog

U Shape Connector	5
Packing List	6
Right Arm Sofa Parts List.....	8
Right Arm Sofa Assembly Instruction.....	9
Left Arm Sofa Parts List.....	10
Left Arm Sofa Assembly Instruction.....	11
Armless Sofa Parts List.....	12
Armless Sofa Assembly Instruction.....	13
Corner Sofa Parts List.....	14
Corner Sofa Assembly Instruction.....	15
Coffee Table Parts List.....	16
Coffee Table Assembly Instruction.....	17
How to cover holes.....	18
Cushion Manual.....	19

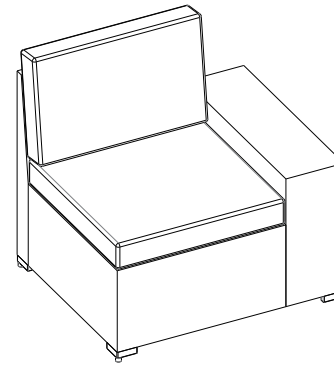
U Shape Connector



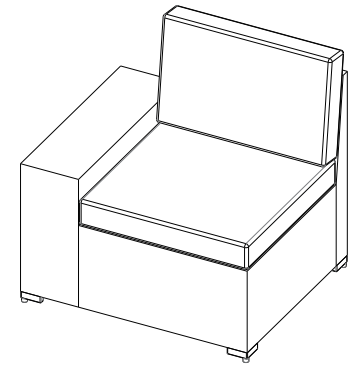
Notice:
Do not use tools such as hammers;
You can scald it with boiling water to soften it.

Packing List Of Each Box

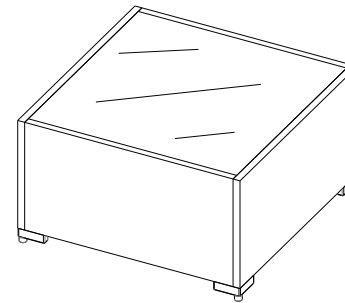
CTN	Part Name	Qty	Label No.
Box-A	6 Pcs Seat Part	4	6ST
	6 Pcs Back Part	3	6BK
	6 Pcs Side Part	2	6SD
	Long Back Cushion	2	LBC
	Short Back Cushion	1	SBC
	Seat Cushion Foam	3	SCF
	Screws Set Package A	1	6SA
	L Shape Feet	12	O
Box-B	6 Pcs Seat Part	1	6ST
	6 Pcs Back Part	2	6BK
	6 Pcs Long Back Part	1	6LB
	6 Pcs Side Part	1	6SD
	6 Pcs Arm Part	2	6AM
	6 Pcs Coffee Table Side 1	2	T1
	6 Pcs Coffee Table Side 2	2	T2
	6 Pcs Coffee Table Glass	1	T3
	6 Pcs Coffee Table Connector	1	T4
	Screws Set Package B	1	6SB
	Long Back Cushion	3	LBC
	Seat Cushion Foam	2	SCF
	L Shape Feet	14	O
Box-C	6 Pcs Seat Cushion Cover	5	-
	6 Pcs Long Cushion Cover	5	
	6 Pcs Short Cushion Cover	1	



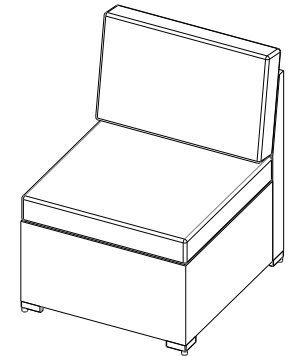
Left Sofa x 1



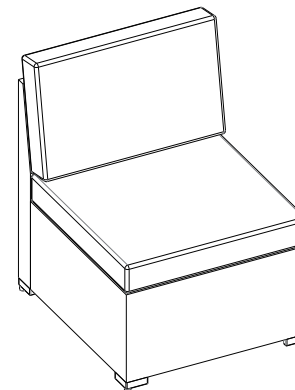
Right Sofa x 1



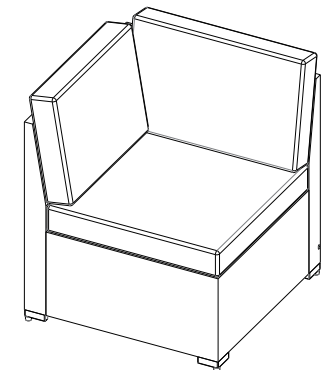
Coffee Table x 1



Armless Sofa x 2



Armless Sofa or Corner Sofa x 1

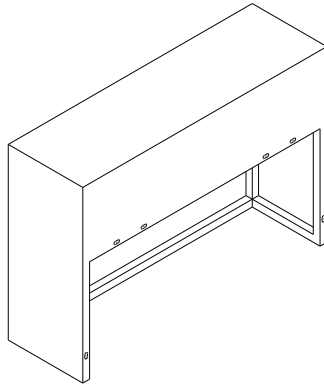
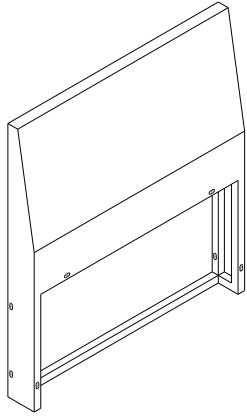
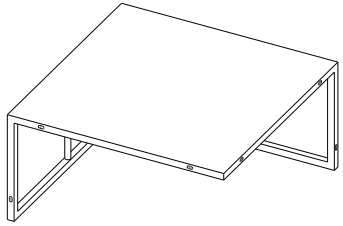


Right Arm Sofa Parts List

6 Pcs Seat Part(6ST) x 1 Pcs

6 Pcs Back Part(6BK) x 1 Pcs

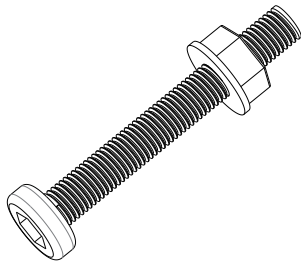
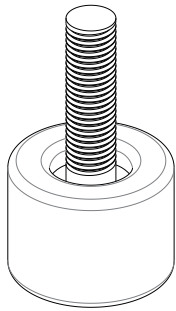
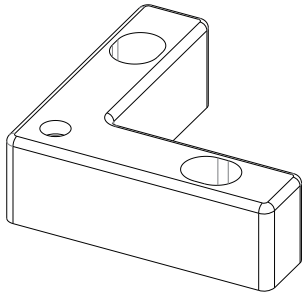
6 Pcs Arm Part(6AM) x 1 Pcs



L Shape Feet(O) x 4 Pcs

Screw Feet(P) x 4 Pcs

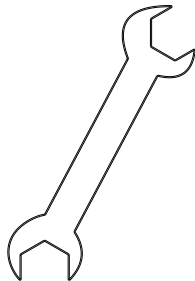
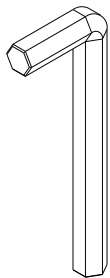
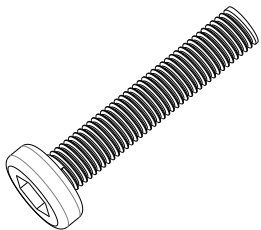
M6x45(Q) x 7 Pcs



M6x30(S) x 8 Pcs

Hexagon Spanner(W) x 1 Pcs

Wrench(V) x 1 Pcs



Right Arm Sofa Assembly Instruction



Do not use machine

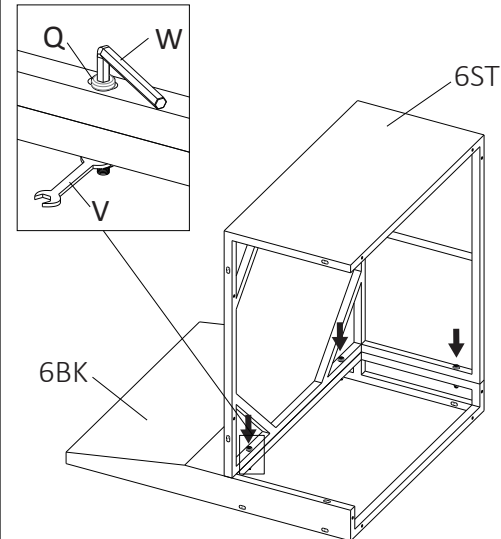


Two Persons together

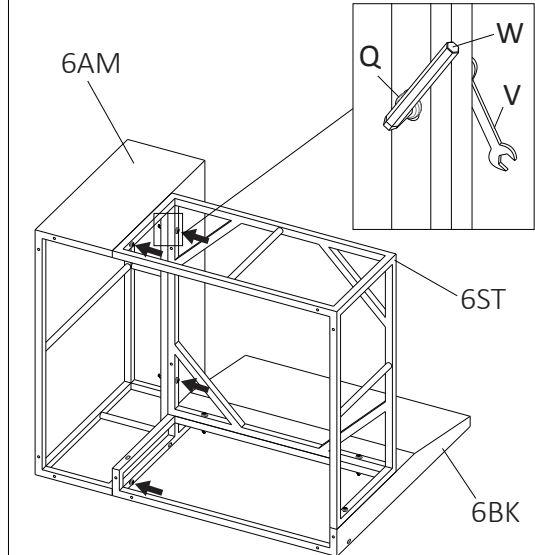


Need 25mins roughly

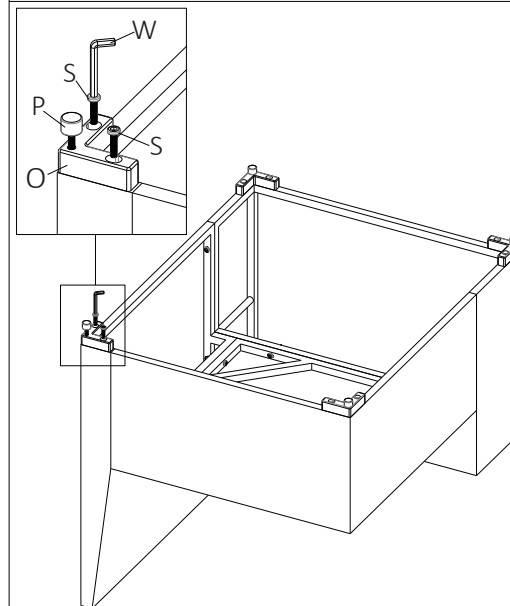
Step 1: Install Seat Part and Back Part



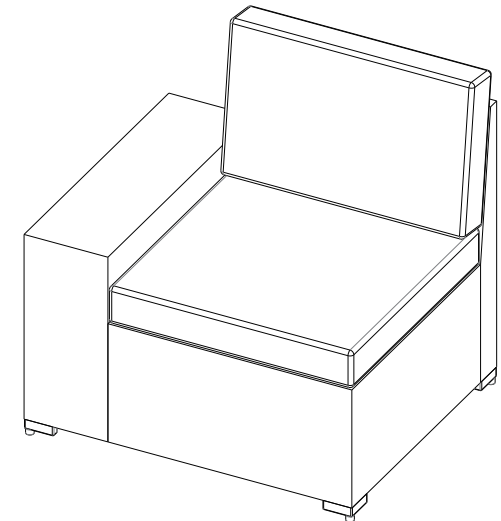
Step 2: Install Arm Part



Step 3: Install L Shape Feet

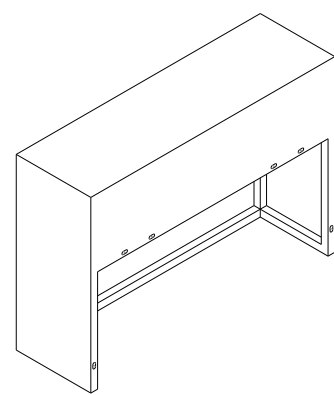
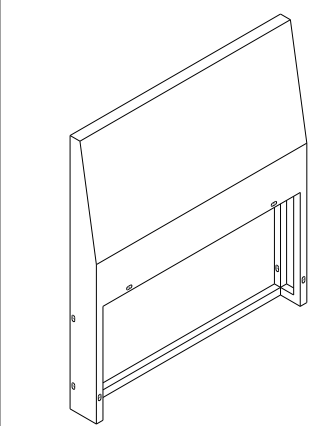
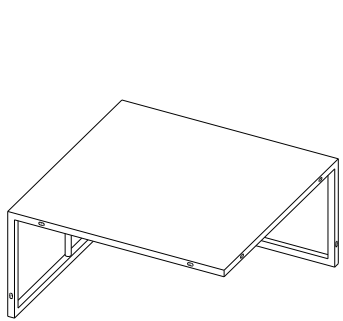


Step 4: Put on The Cushions



Left Arm Sofa Parts List

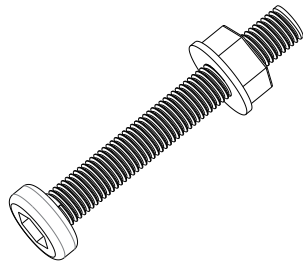
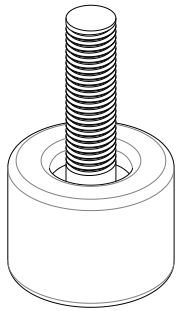
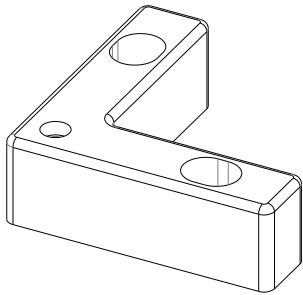
6 Pcs Seat Part(6ST) x 1 Pcs 6 Pcs Back Part(6BK) x 1 Pcs 6 Pcs Arm Part(6AM) x 1 Pcs



L Shape Feet(O) x 4 Pcs

Screw Feet(P) x 4 Pcs

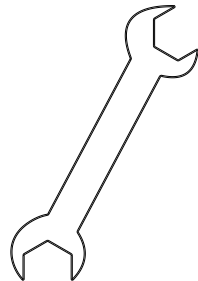
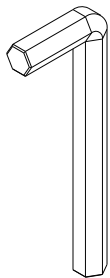
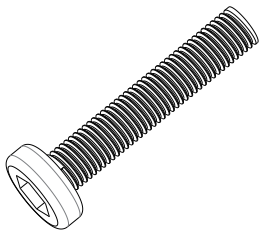
M6x45(Q) x 7 Pcs



M6x30(S) x 8 Pcs

Hexagon Spanner(W) x 1 Pcs

Wrench(V) x 1 Pcs



Left Arm Sofa Assembly Instruction



Do not use machine

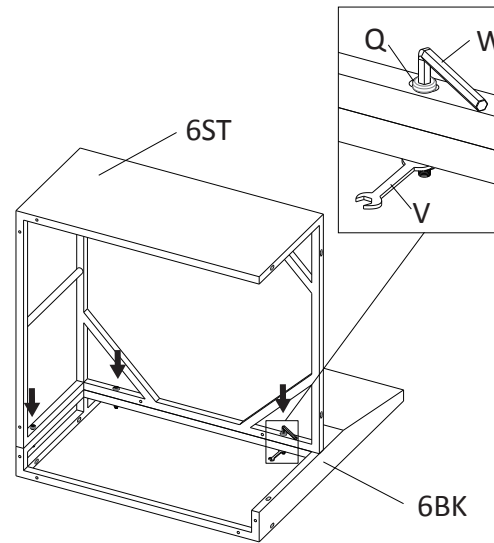


Two Persons together

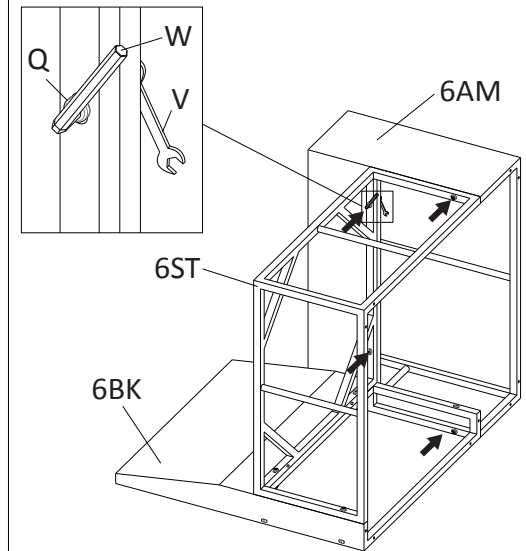


Need 25mins roughly

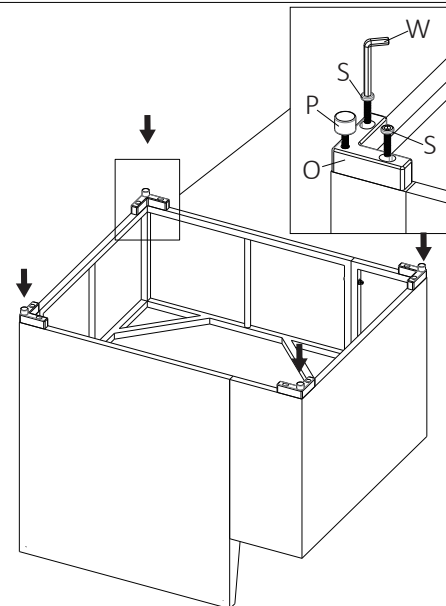
Step 1: Install Seat Part and Back Part



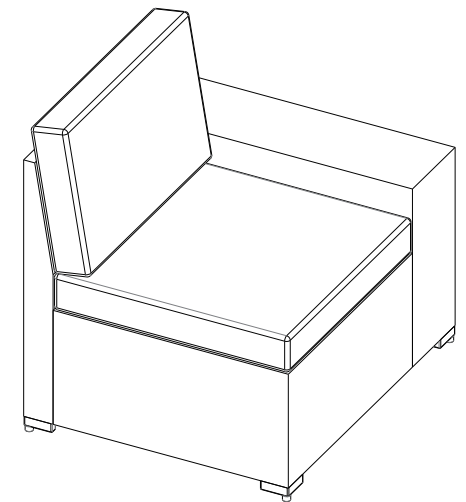
Step 2: Install 6 Pcs Arm Part



Step 3: Install L Shape Feet



Step 4: Put on The Cushions

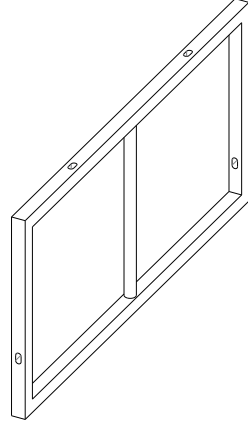
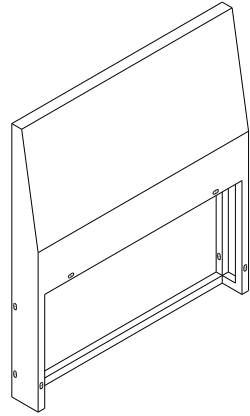
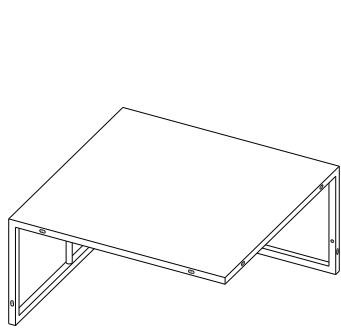


Armless Sofa Parts List

6 Pcs Seat Part(6ST) x 1 Pcs

6 Pcs Back Part(6BK) x 1 Pcs

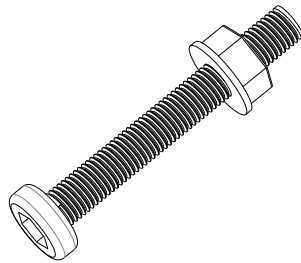
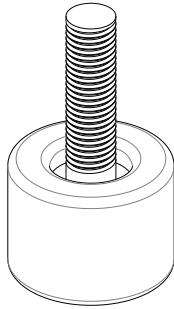
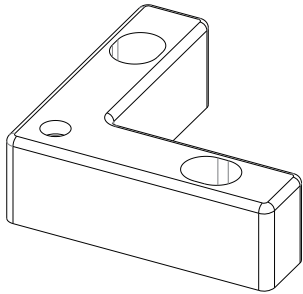
6 Pcs Side Part(6SD) x 1 Pcs



L Shape Feet(O) x 4 Pcs

Screw Feet(P) x 4 Pcs

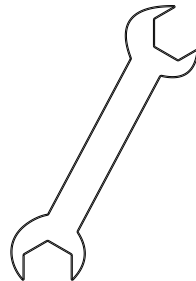
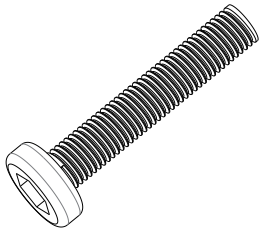
M6x45(Q) x 4 Pcs



M6x30(S) x 11 Pcs

Hexagon Spanner(W) x 1 Pcs

Wrench(V) x 1 Pcs



Armless Sofa Assembly Instruction



Do not use machine

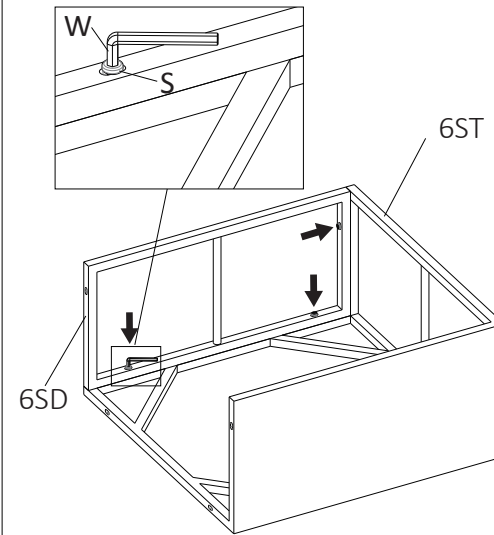


Two Persons together

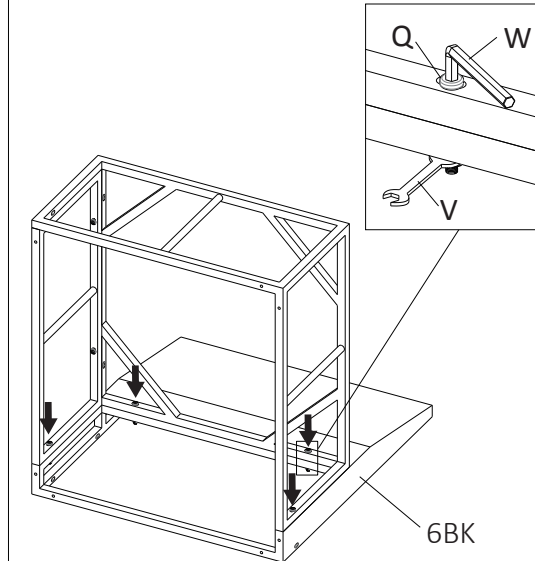


Need 25mins roughly

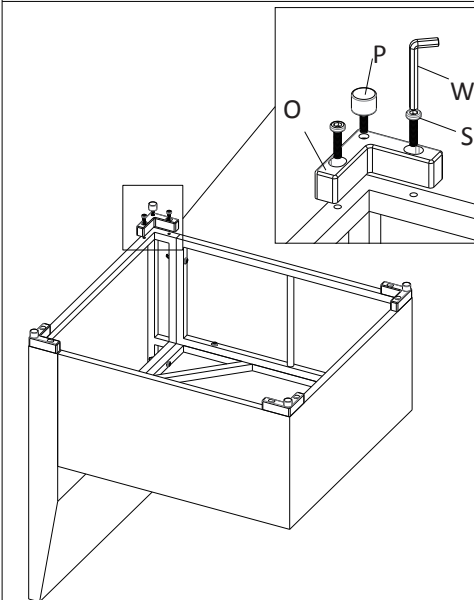
Step 1: Install Seat Part and Side Part



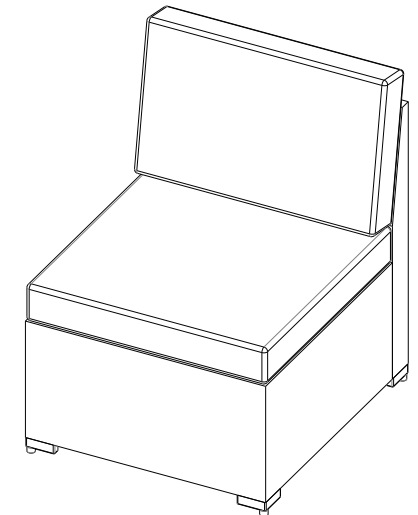
Step 2: Install Back Part



Step 3: Install L Shape Feet



Step 4: Put on The Cushions

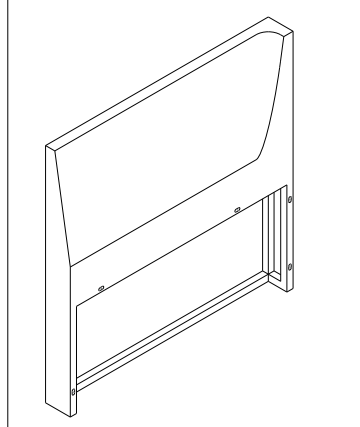
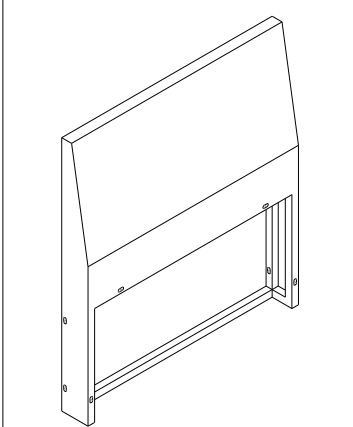
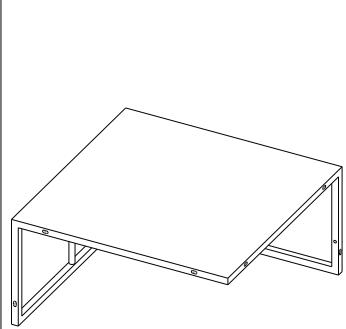


Corner Sofa Parts List

6 Pcs Seat Part(6ST) x 1 Pcs

6 Pcs Back Part(6BK) x 1 Pcs

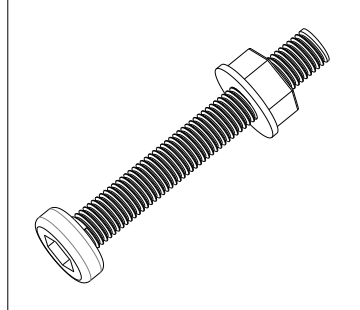
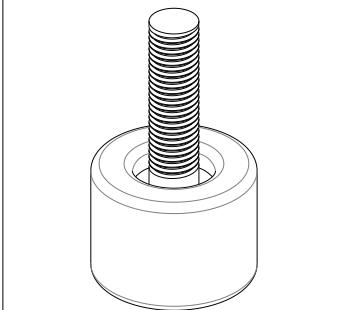
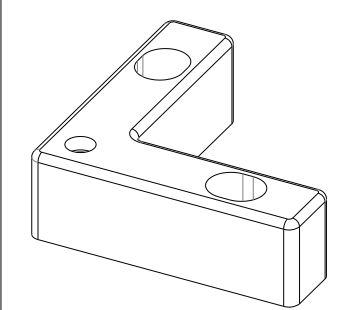
6 Pcs Long Back(6LB) x 1 Pcs



L Shape Feet(O) x 4 Pcs

Screw Feet(P) x 4 Pcs

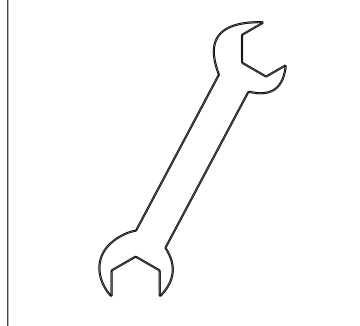
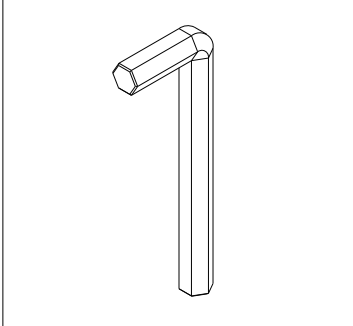
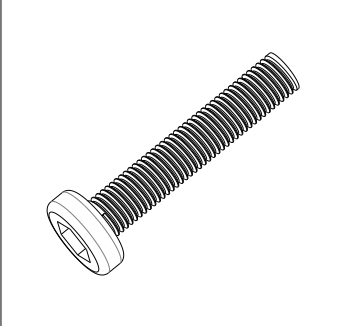
M6x45(Q) x 8 Pcs



M6x30(S) x 8 Pcs

Hexagon Spanner(W) x 1 Pcs

Wrench(V) x 1 Pcs



Corner Sofa Assembly Instruction



Do not use machine

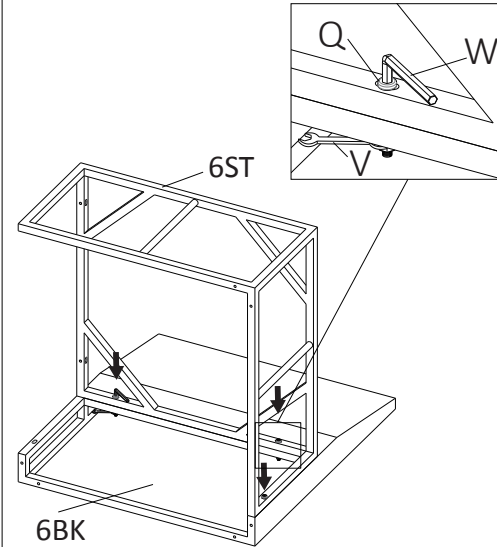


Two Persons together

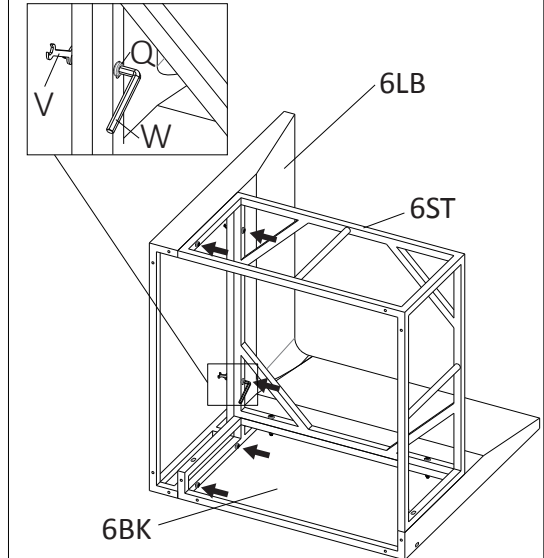


Need 25mins roughly

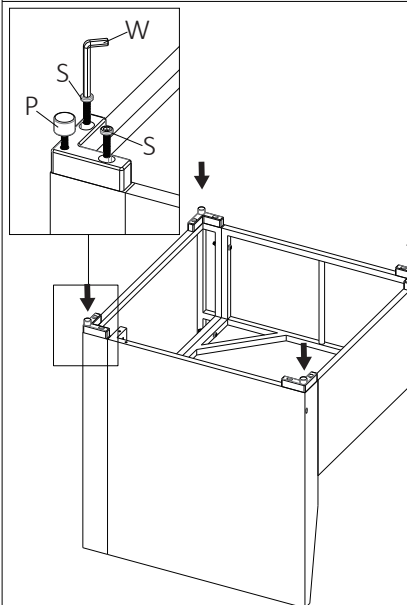
Step 1: Install Seat Part and Back Part



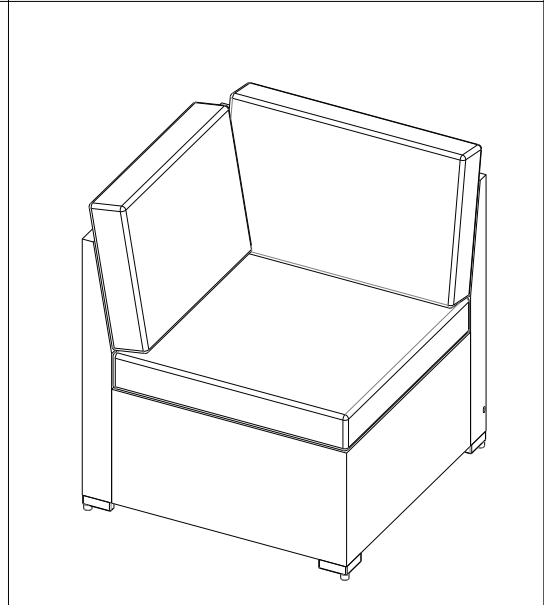
Step 2: Install Long Back Part



Step 3: Install L Shape Feet



Step 4: Put on The Cushions

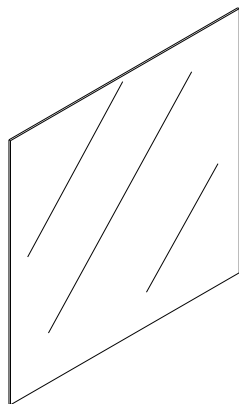
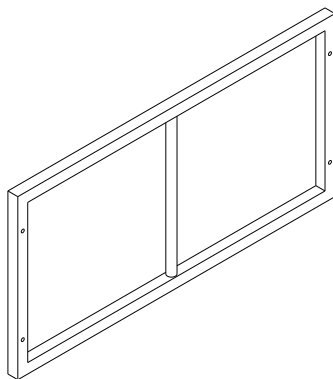
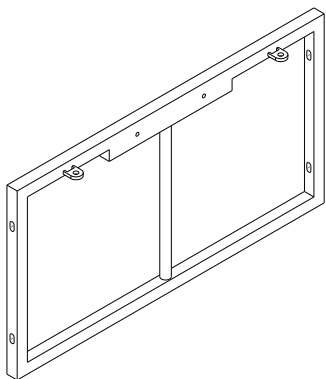


Coffee Table Parts List

Side 1 Part(T1) x 2 Pcs

Side 2 Part(T2) x 2 Pcs

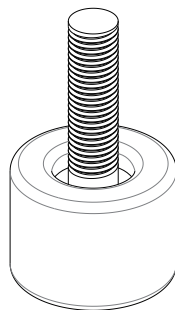
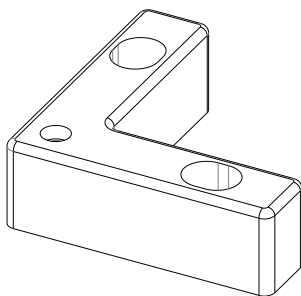
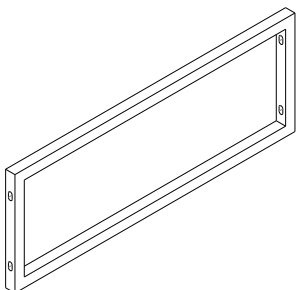
Glass Top(T3) x 1 Pcs



Connector(T4) x 1 Pcs

L Shape Feet(O) x 4 Pcs

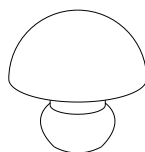
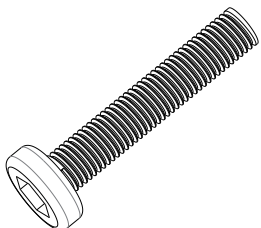
Screw Feet(P) x 4 Pcs



M6x30(S) x 20 Pcs

Hexagon Spanner(W) x 1 Pcs

Glass Pad(E) x 4 Pcs



Coffee Table Assembly Instruction



Do not use machine

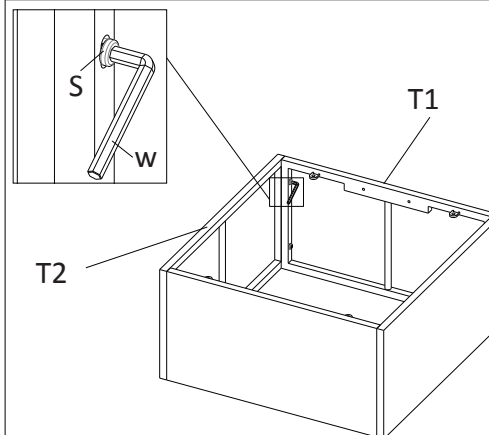


Two Persons together

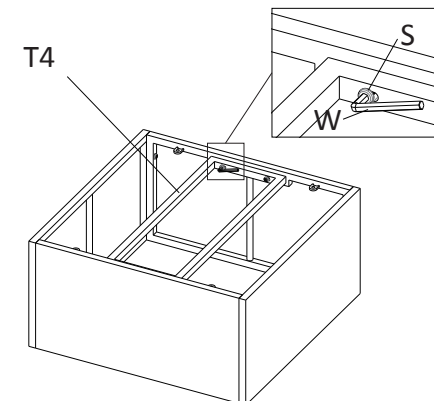


Need 25mins roughly

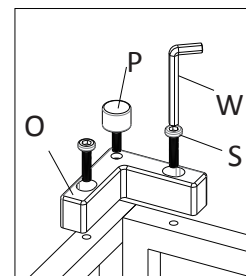
Step 1: Install Side 1 And 2 Parts



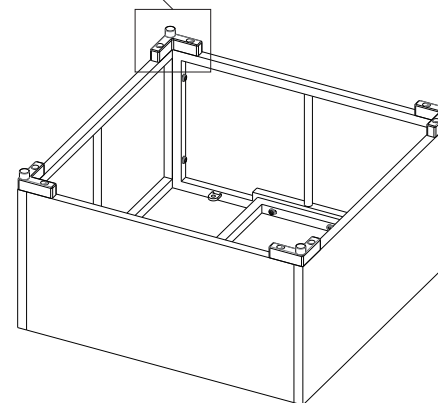
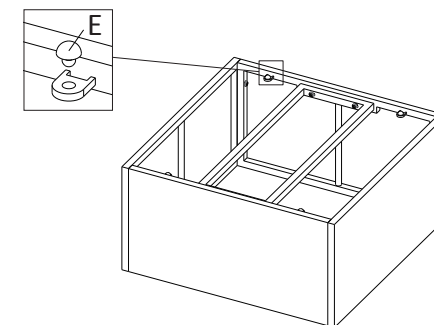
Step 2: Install Connector



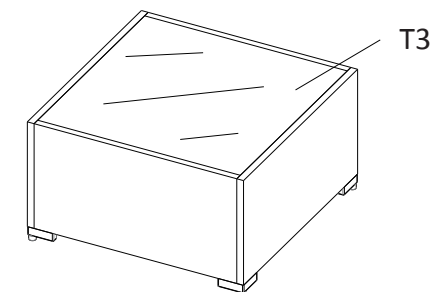
Step 3: Install L Shape Feet



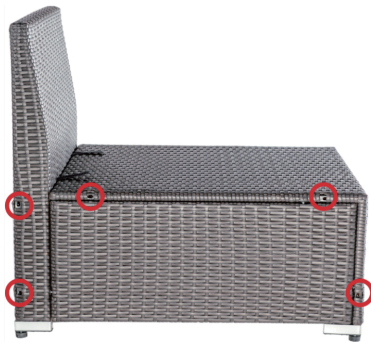
Step 4: Put on The Glass Pad (If Need)



Step 5: Put on The Top Glass



How to Cover Holes



There may be some holes in these sofas. We supply some PE wicker material which you can use to cover these holes although they are invisible when put it at the middle of right sofa and left sofa.



Step 1



Step 2



Step 3



Step 4

You might use two pieces PE wicker to cover the hole, and repeat the steps to cover all the holes. These PE wicker also can be used to repair the scratch or broken wicker.

6pcs Sofa Set Cushion Manual



5pcs white foam for seat cushion
5pcs PP cotton filler for long back pillow
1pc PP cotton filler for short back pillow



5pcs long back pillow covers
1pc short back pillow covers



5pcs seat cushion covers



Open pillow filler packing



Put the pillow filler inside the cover



Back pillow



Open seat cushion white foam packing



Put the white foam inside the cover



Seat Cushion



- 1pc short back pillows
- 5pcs long back pillows
- 5pcs seat cushions

Please Note:

Because the cushion and pillow infilling is vacuum packed, So after you open the bag and put them into the covers, The springback of the PP cotton of pillow need some more time than the white foam cushion, usually need 3-4 days. It can make the time shorter if slapping the pillows with the palm or other flat object.