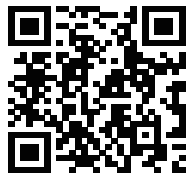


Rocking Patio Sets

Instructions

www.alaulm.com

Make Your Life Better.



Packing List

No.	Part Name	Qty	Label
1	Arm Part	4	SC1
2	Seat Part	2	SC2
3	Back Part	2	SC3
4	Feet Part	2	ST1
5	Top Frame Part	1	ST2
6	Glass Top Part	1	ST3
7	Feet Connector	2	ST4
8	Screw Set	1	3SS
9	Seat Cushions	2	-
10	Back Chshions	2	-

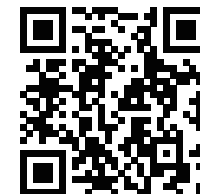
Care & Instructions

- 1.Thank you for choosing Our Products;
- 2.Please check the pasts inside and read the installations before install the rocking chairs;
- 3.In order to prolong the set's service life,we suggest you take the set indoors on a rainy day.
- 4.If missing any parts or have any problem,please email us;
- 5.You can scan the QR Code to explore more products and videos about the product.

Contact US

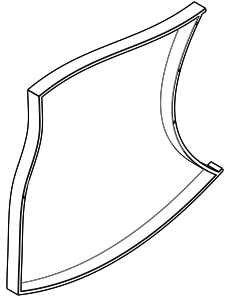
E-mail:Service@alaulm.com

Web:www.alaulm.com

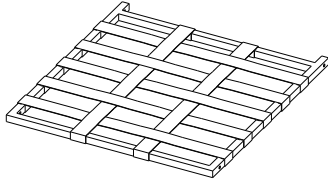


Single Chair Parts List

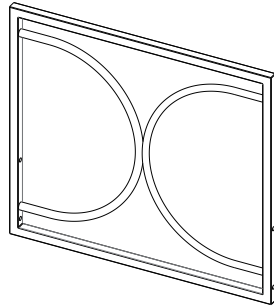
SC1(Arm Part) x 2PCS



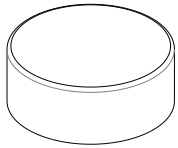
SC2(Seat Part) x 1PCS



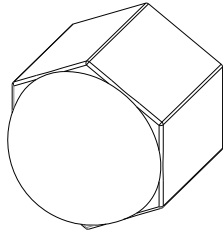
SC3(Back Part) x 1PCS



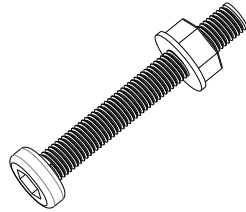
O(Screw Head Cap) x 8Pcs



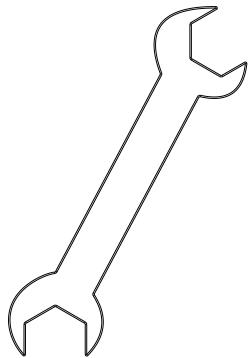
P(Screw End Cap) x 8Pcs



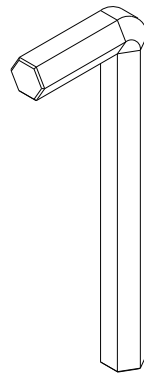
Q(M6 x 70) x 8Pcs



V(Wrench) x 1Pcs



W(Hexagon Spanner) x 1Pcs



Single Chair Assembly Instruction



Do not use machine

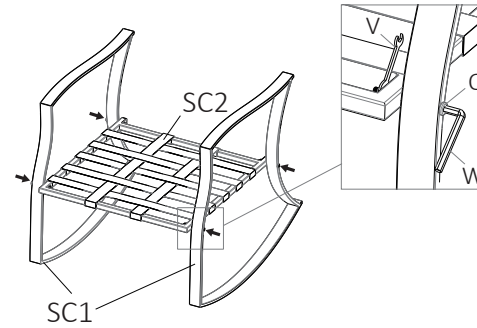


Two Persons together



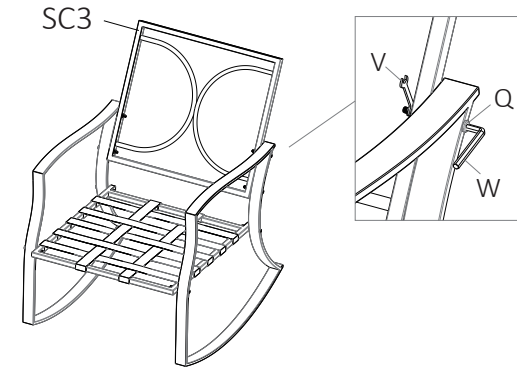
Need 25mins roughly

Step 1: Install Arm and Seat Part



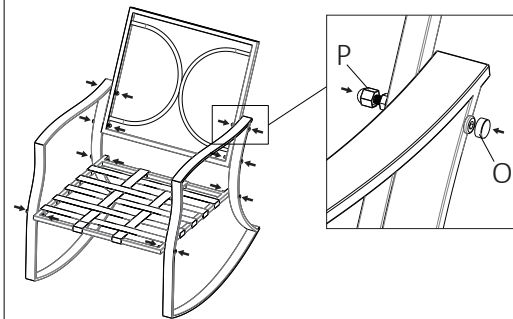
Tips: Screws 80% tight

Step 2: Install Back Part

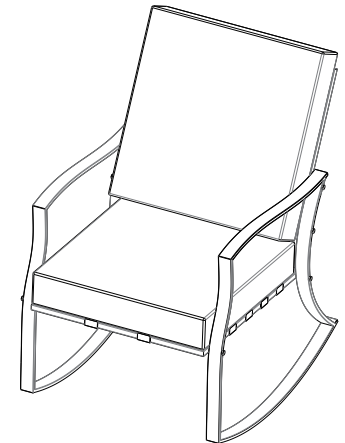


Tips: Screws 100% tight after all parts connected.

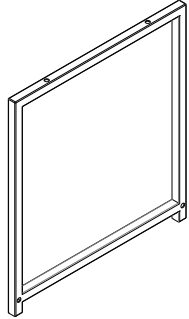
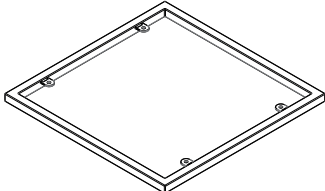
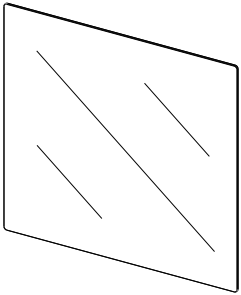
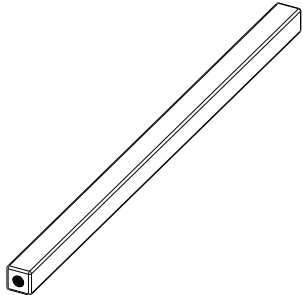
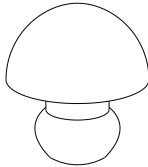
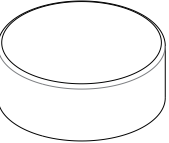
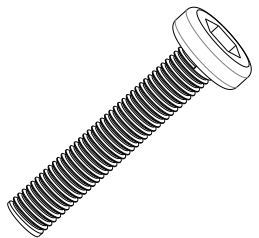
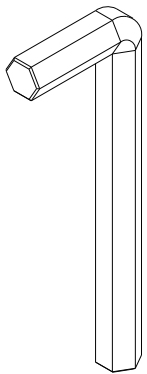
Step 3: Cover the Screw Head & End Cap!



Step 4: Put on The Cushions

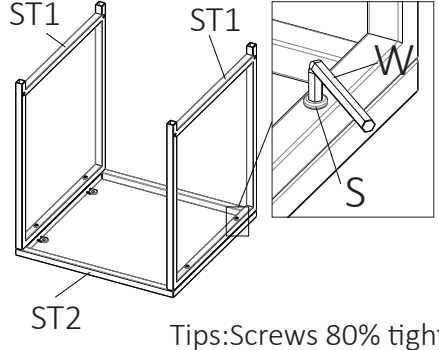
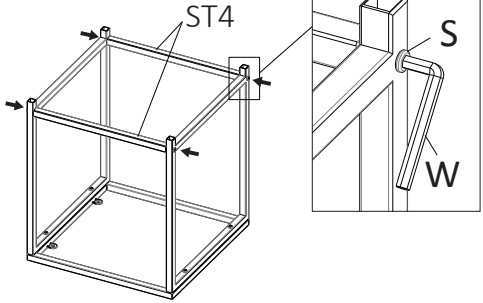
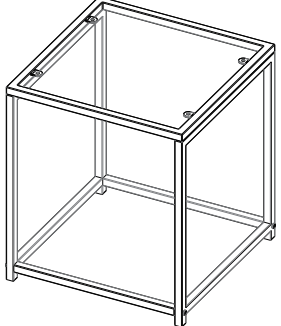
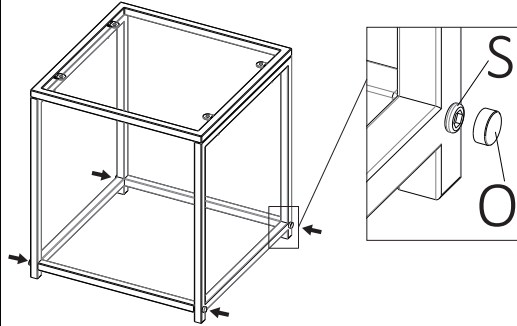


Coffee Table Parts List

ST1(Feet Part) x 2Pcs	ST2(Top Frame Part) x 1Pcs	ST3(Glass Top) x 1Pcs
		
ST4(Feet Connercto) x 2Pcs	E(Glass Pad) x 4Pcs	O(Screw Head Cap) x 8Pcs
		
S(M6 x 30) x 8Pcs	W(Hexagon Spanner) x 1Pcs	
		

Coffee Table Assembly Instruction



Step 1: Install Feet and Top Frame	Step 2: Install Feet Connector
	
Tips: Screws 80% tight	Tips: Screws 100% tight after all parts connected.
Step 3: Screws 100% Tight	Step 4: Cover the Screw Head Cap
	
Step 5: Put the Glass Pad	Step 6: Put the Glass Carefully
